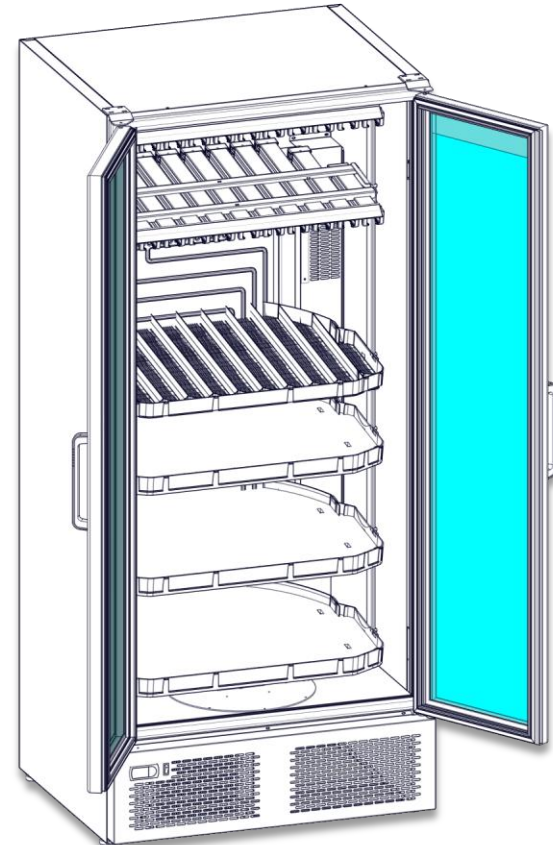
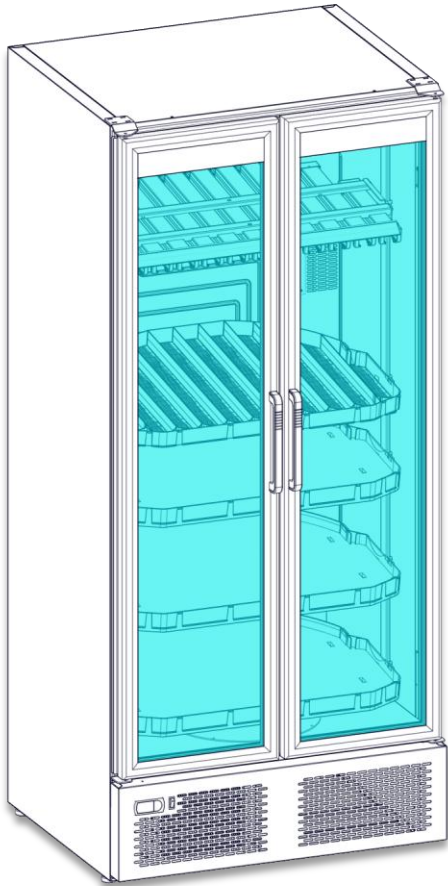


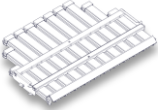





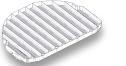







# *Manual for Installation :*

## *Efficold ML 900*

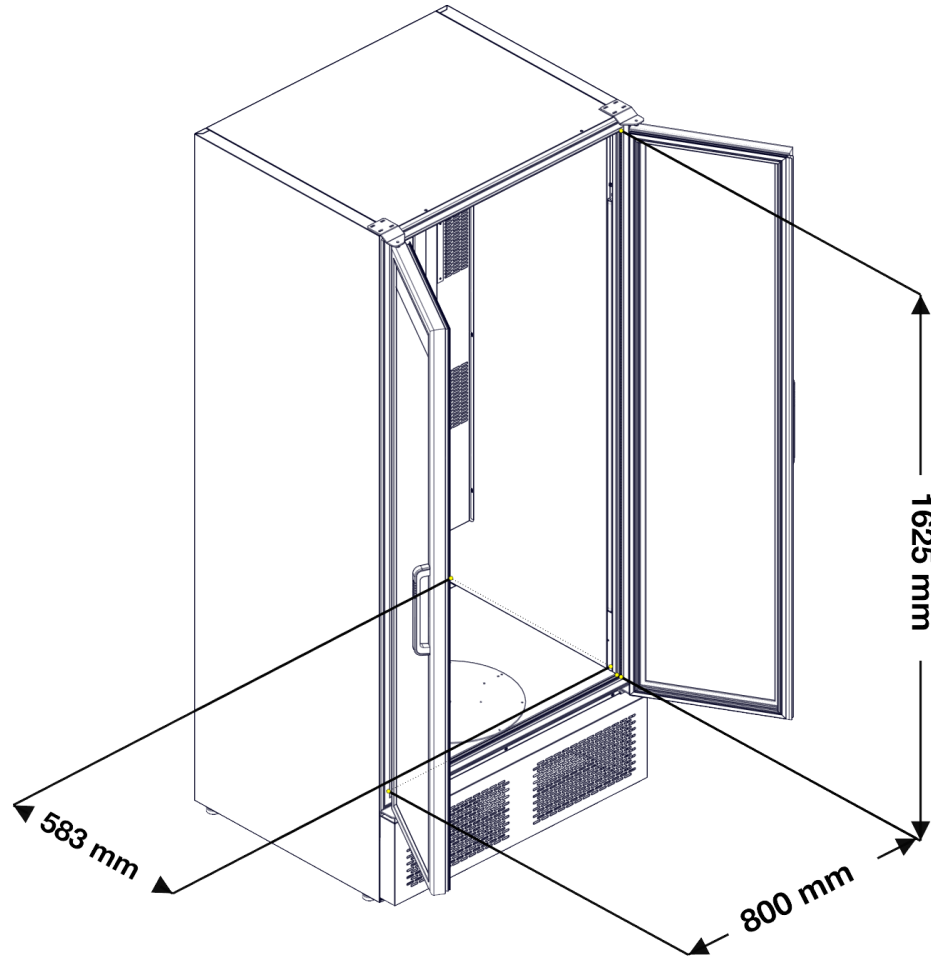


# *Efficold ML 900*

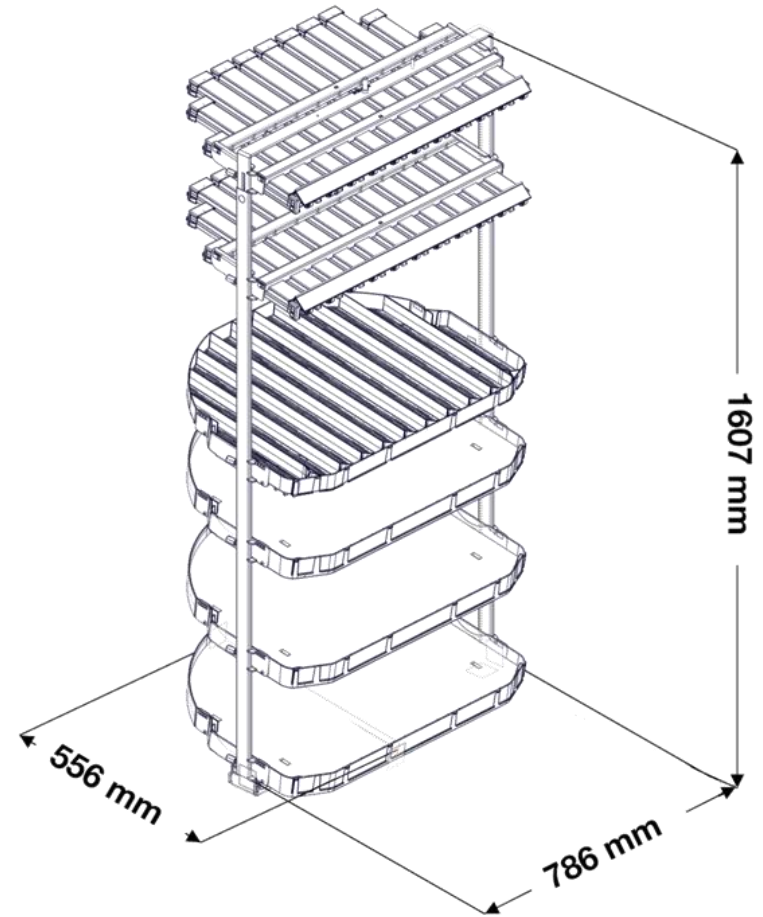


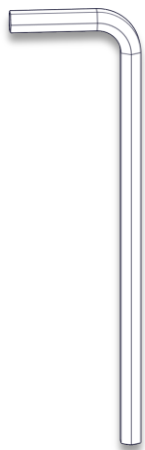
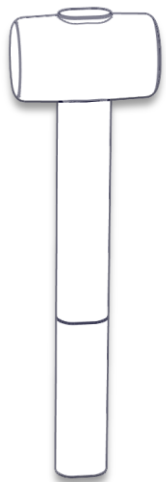
Efficol ML 900- packing details					Efficol ML 900- packing details				
Picture	Product name	Art. No	Weight / item	Qty. / trolley	Picture	Product Name	Art.No	Weight/ item	Qty./ Shelf
	Standart - TopSlider Shelf FA ø 66	0123-43000-0	4,8 kg	1		FRONTSTOP UNIVERSAL 90 HIGH H94mm	400398	290g	1
	Standart - TopSlider Shelf FA ø 74	0123-32000-0	4,7 kg	1		FRONTSTOP UNIVERSAL 90 LOW H54mm	400602		1
	Universal 90 Shelf FA	0123-22000-0	4 kg	1		PLASTLABEL RS90F11 747*37*0,8	400362		1
	Beverage 90 Shelf FA	0123-24000-0	3,5 kg	1		DIVIDER UNIVERSAL 70-90	400393	44g	10
	Frame RotoShelf FA – bottom part	0123-11000-0	9,5 kg	1		Frontstopper for Beverage	400333		10
	Frame RotoShelf FA – side part ( 1475 mm )	0123-11011-0	2,1 kg	2					
	Frame RotoShelf FA – Top part	0123-11003-0	1,4 kg	1					
	Connecting mat. for – Top part	0120-19000-0	100g	1					
	Allen key	0000-0013		1					

# *ML 900*



# *RotoShelf FA*





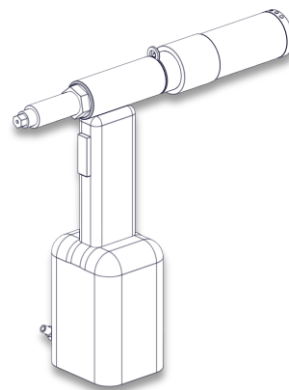
**4 mm**  
**0000-0013**



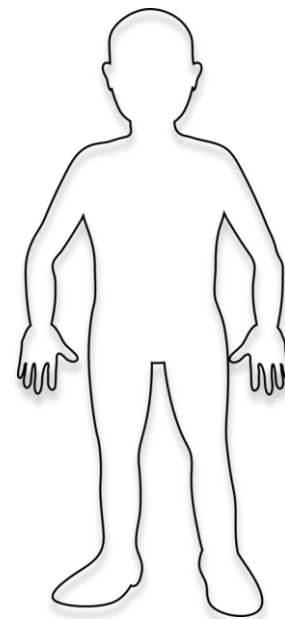
**13 mm**



**17 mm**



**Loctite**  
**Super**  
**Glue**



**Art.n.**  
**091000-**  
**600002**



**Rivet**  
**Fe 4 x 10**  
**( 4x )**



**M 8x16**  
**( 2x )**



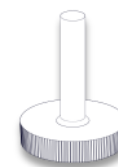
**M 10x40**  
**( 1x )**



**M 8**  
**( 2x )**

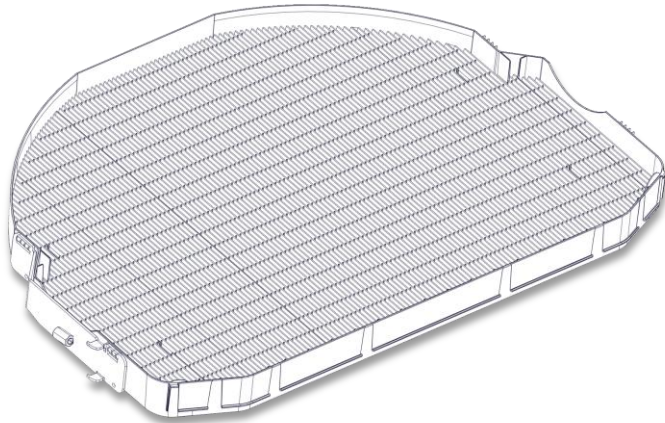


**Art. n.**  
**0000-0006**  
**( 1x )**

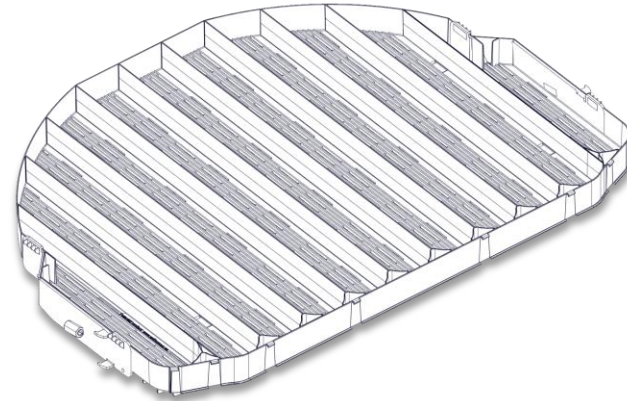


**71-25**  
**M 6x30**  
**( 1x )**

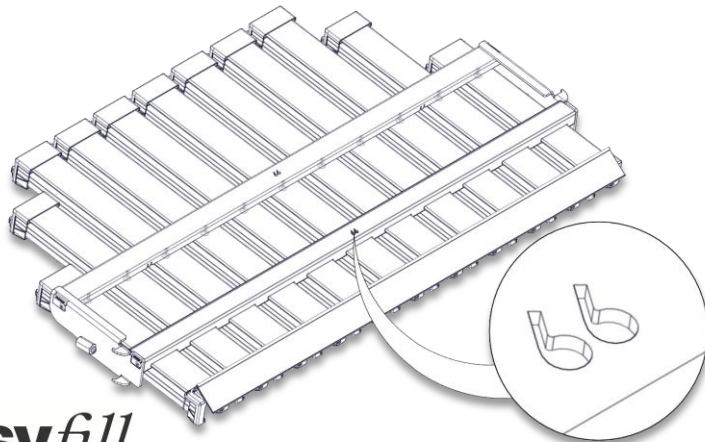
*Universal 90 Shelf FA*  
*Art.n. 0123-22000-0*



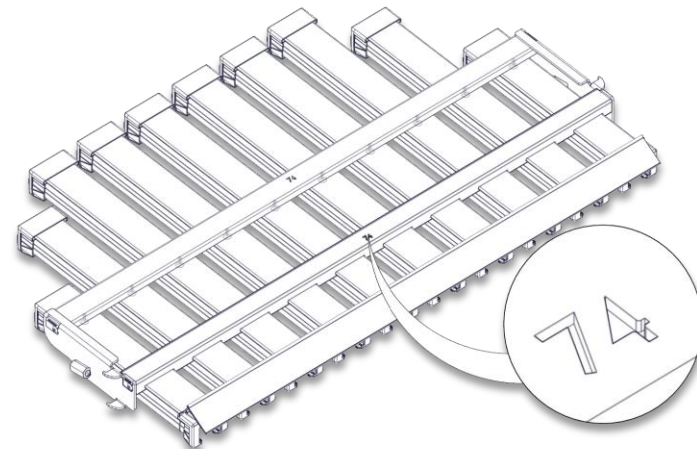
*Beverages 90 Shelf FA*  
*Art.n. 0123-24000-0*



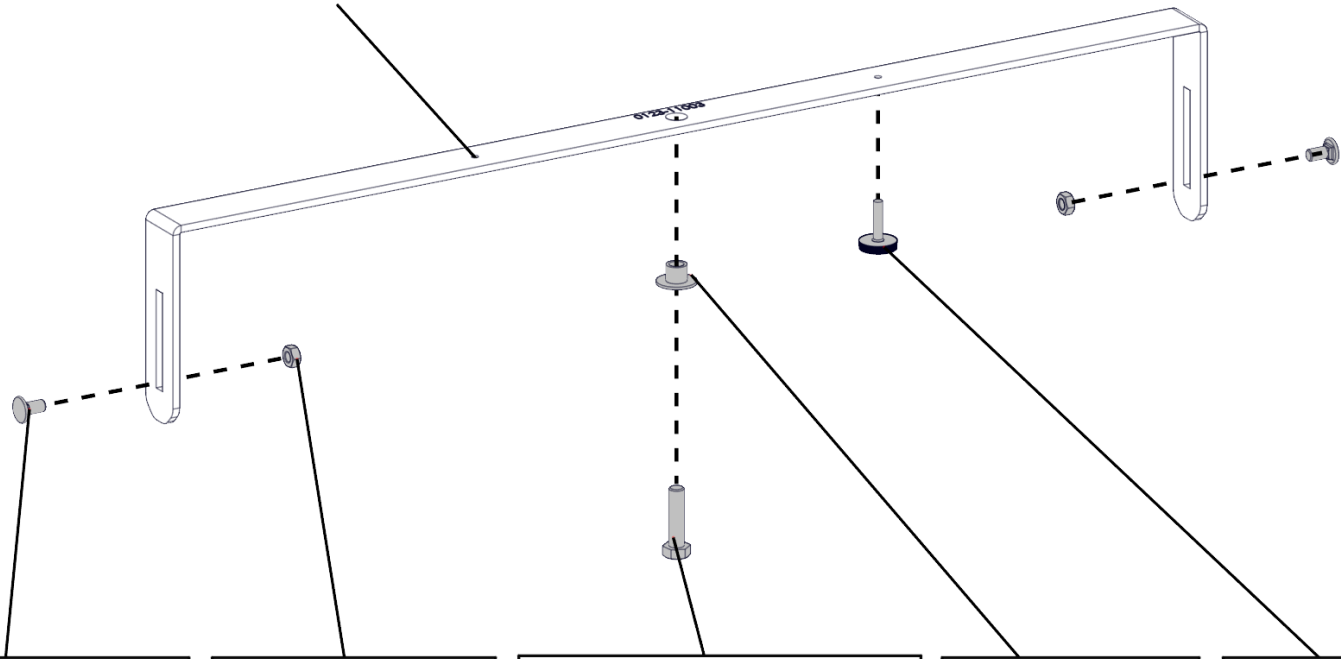
*Standart - TopSlider Shelf FA*  
 $\varnothing$  66 ( 16,9oz , 500 ml )  
*Art.n. 0123-43000-0*



*Standart - TopSlider Shelf FA*  
 $\varnothing$  74 ( 20oz , 591ml )  
*Art.n. 0123-32000-0*



0123-11003-0



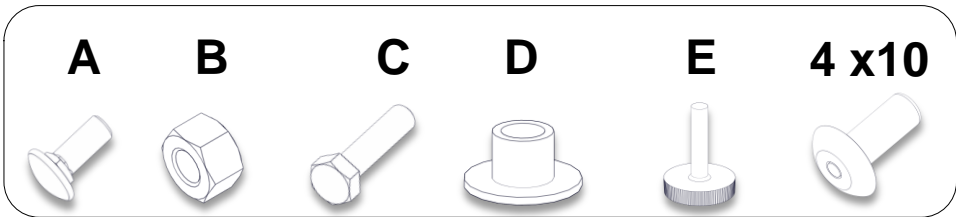
**M8 x 16 DIN 603**  
**(2x) A**

**M8 DIN 934**  
**(2x) B**

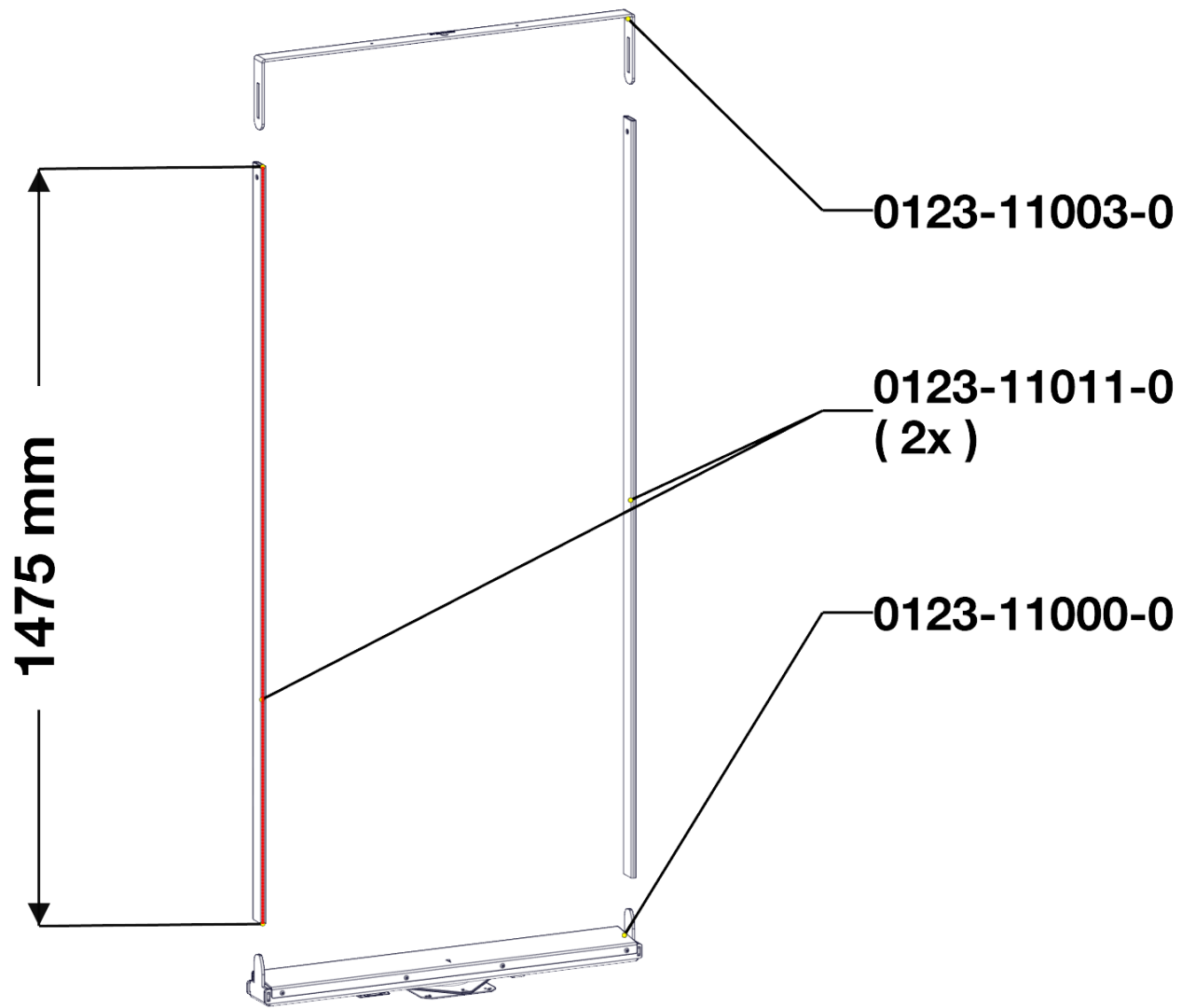
**M10 x 40 DIN 933**  
**C**

**0000-0006**  
**D**

**71-25 M 6x30**  
**E**

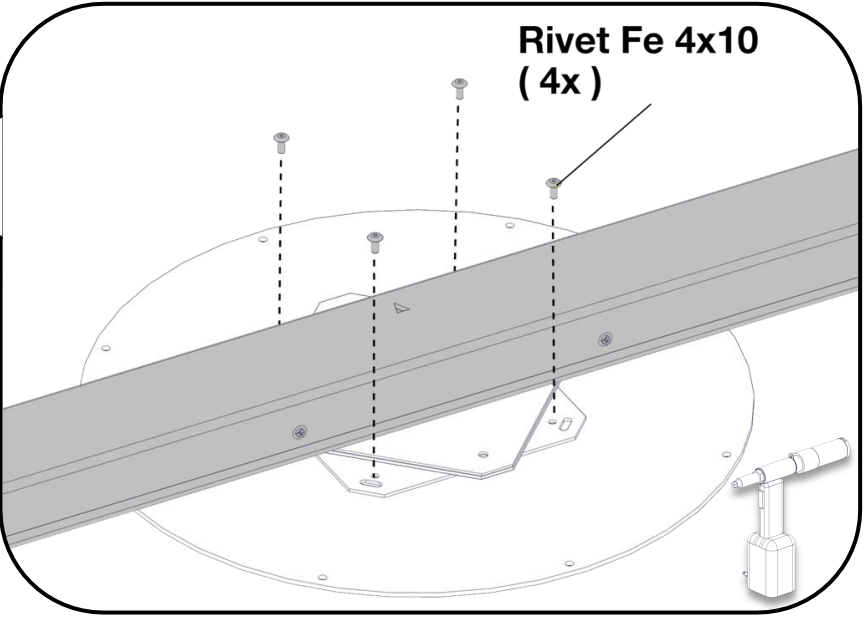
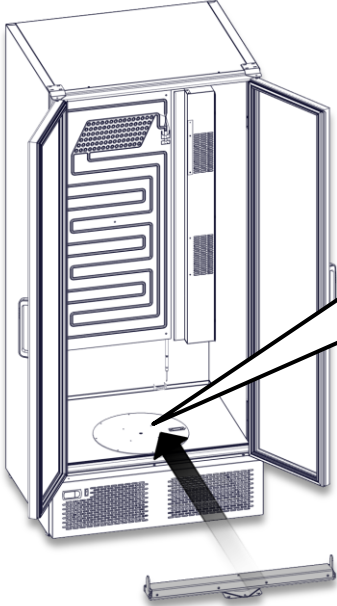


0120-19000-0

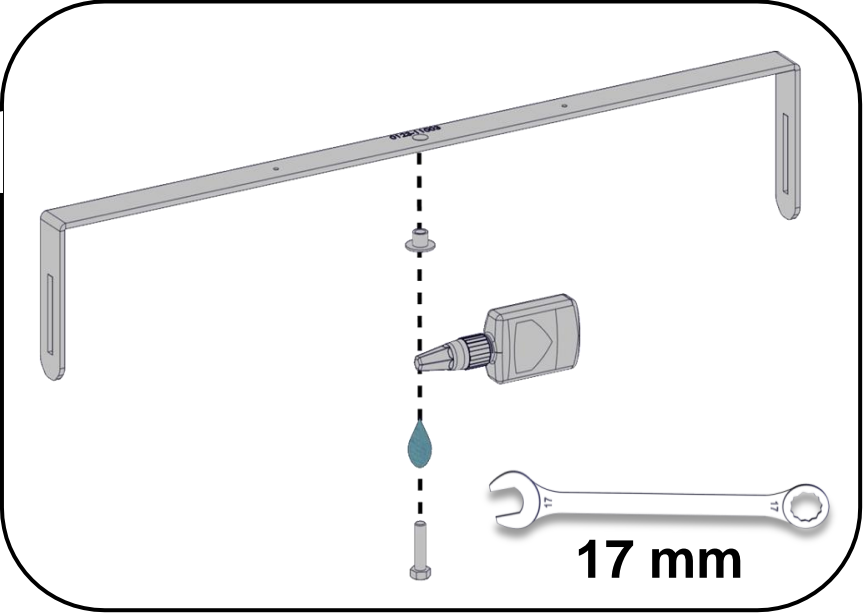
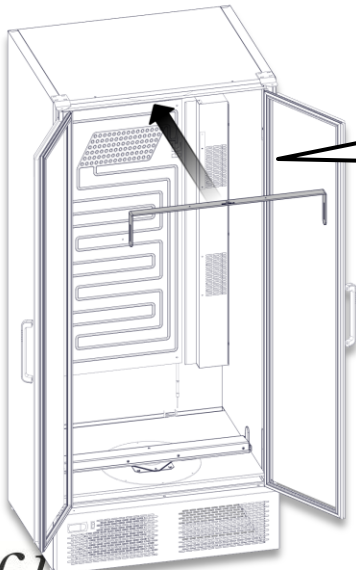




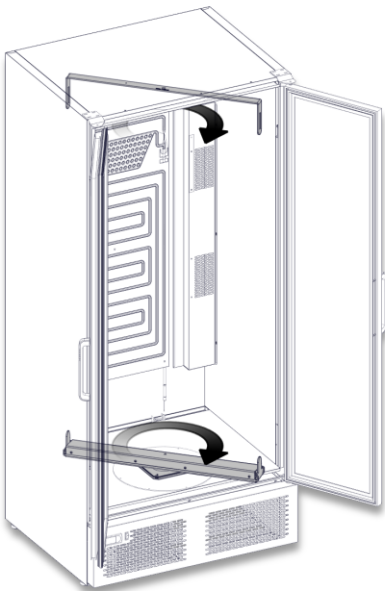
**1**



**2**



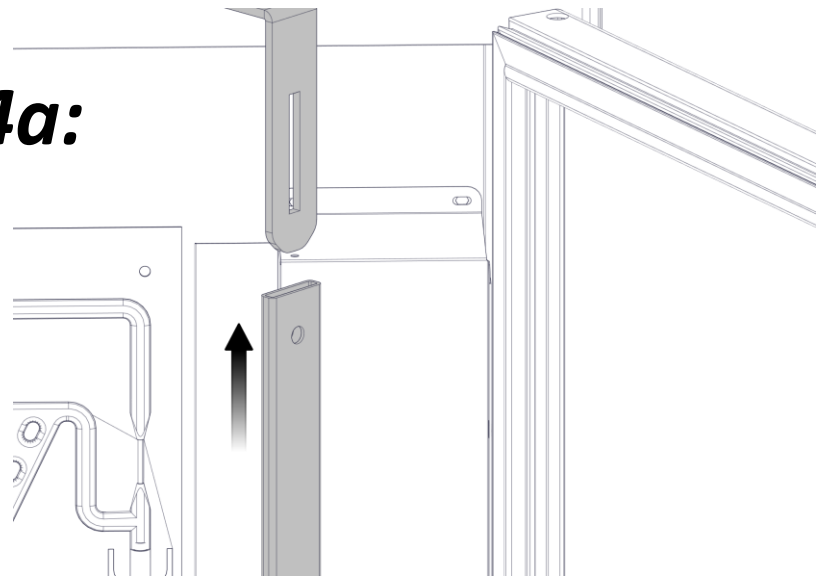
**3**



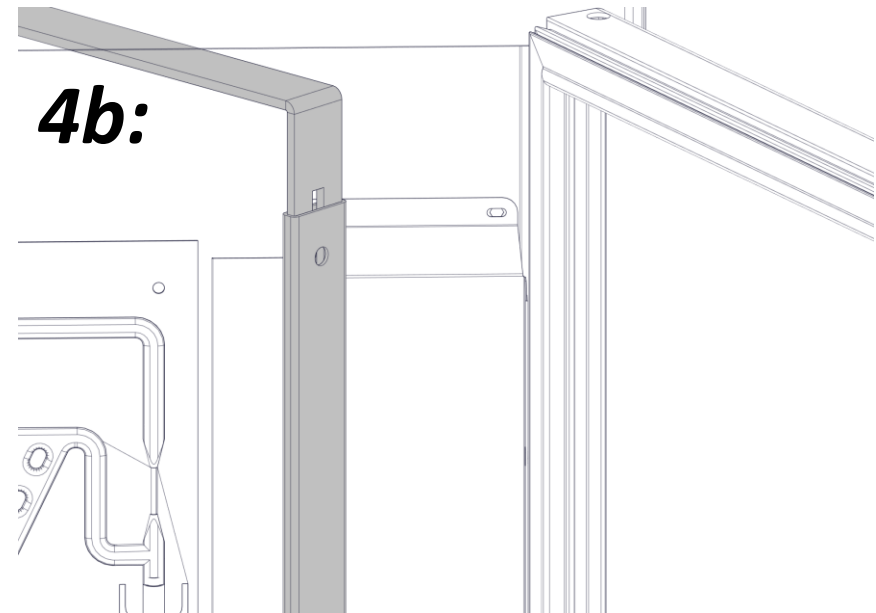
**4**



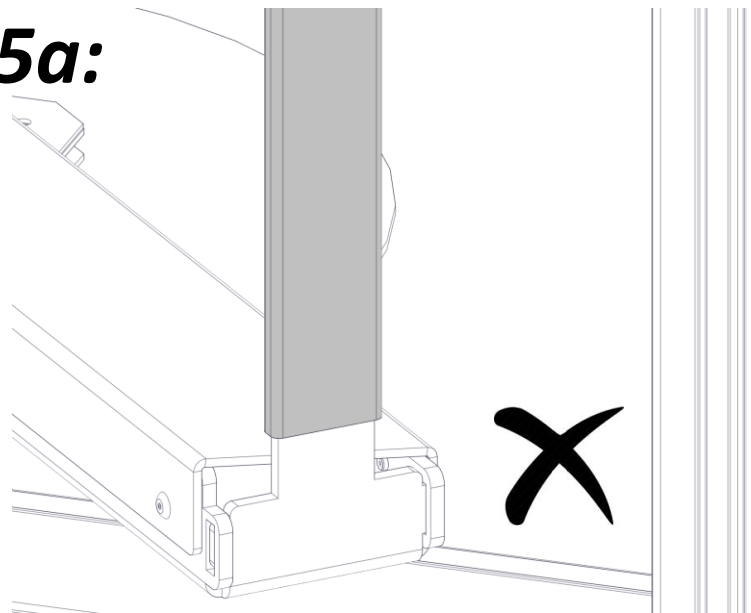
**4a:**



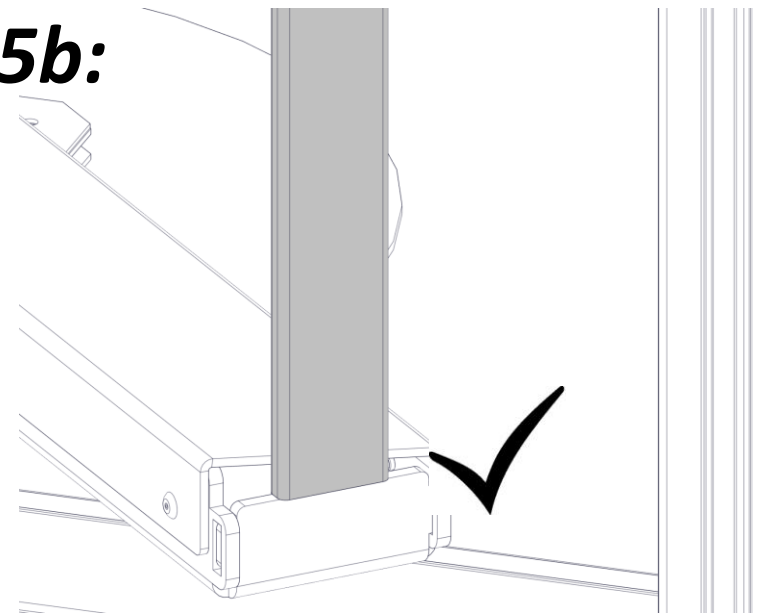
**4b:**



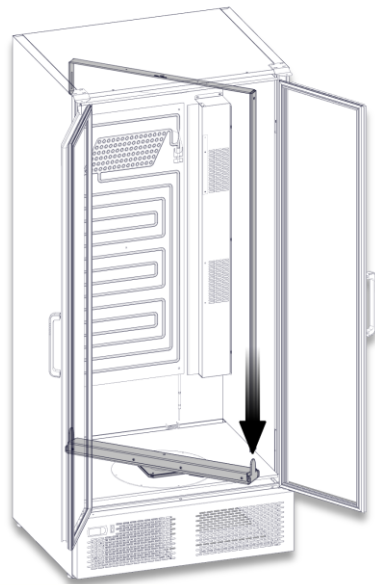
**5a:**



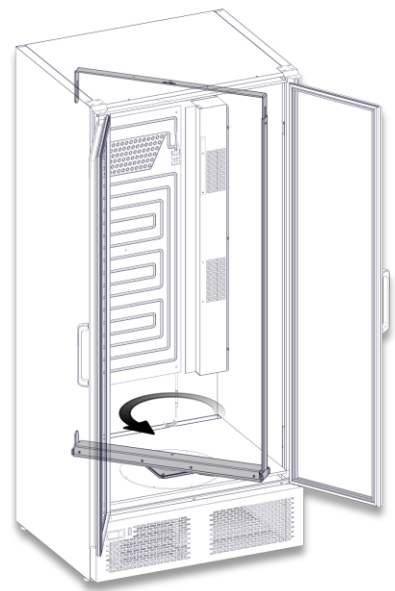
**5b:**



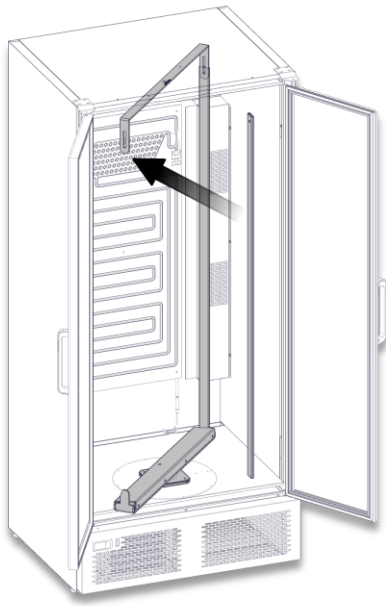
**5**



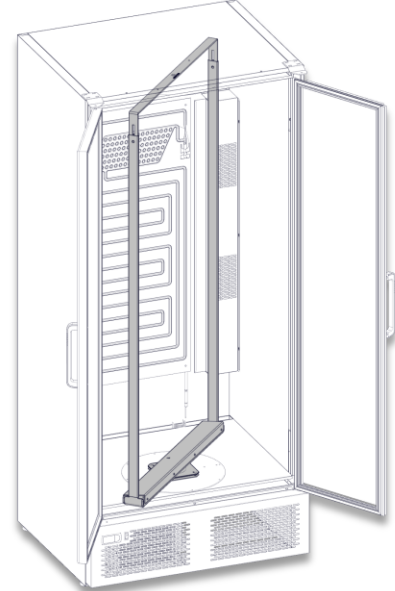
**6**



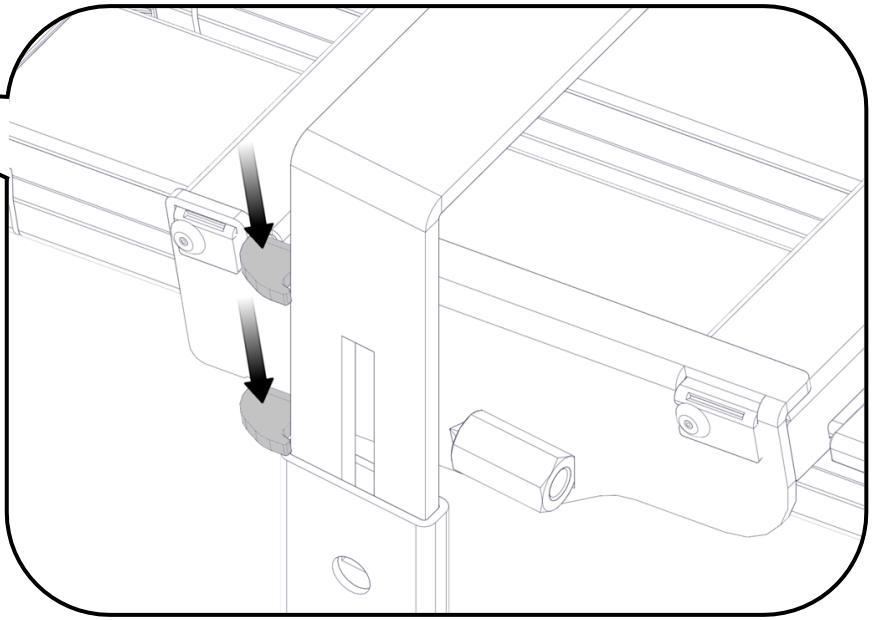
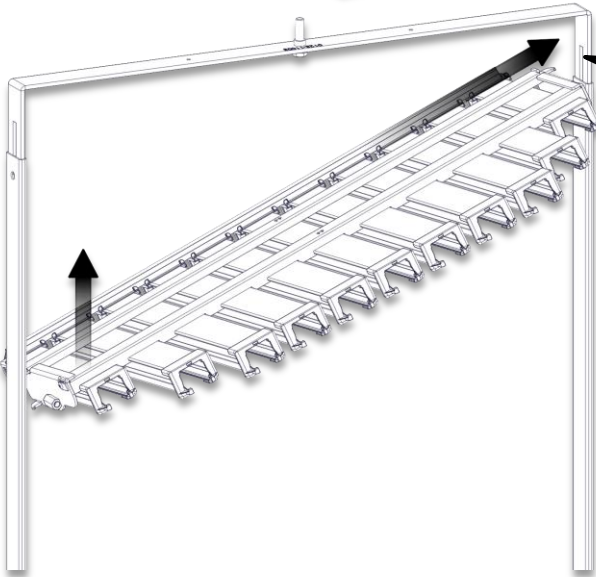
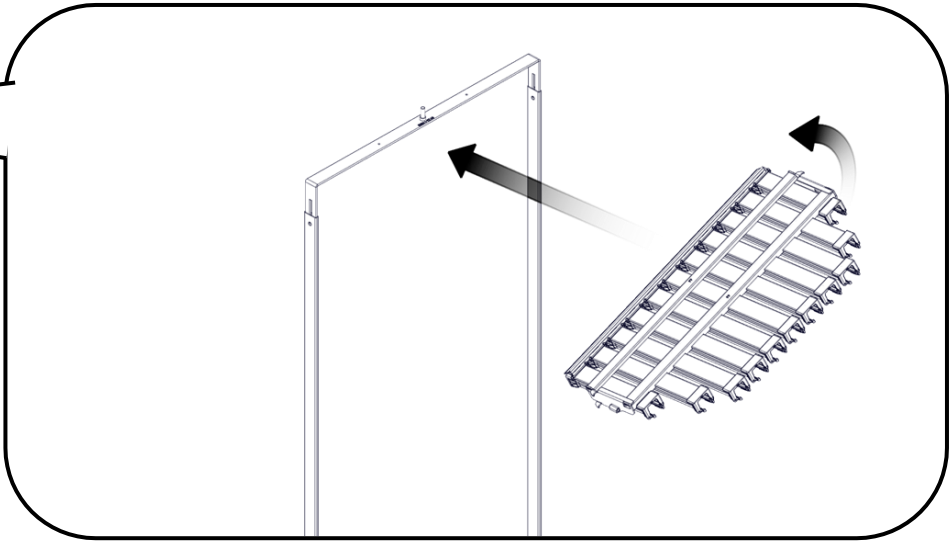
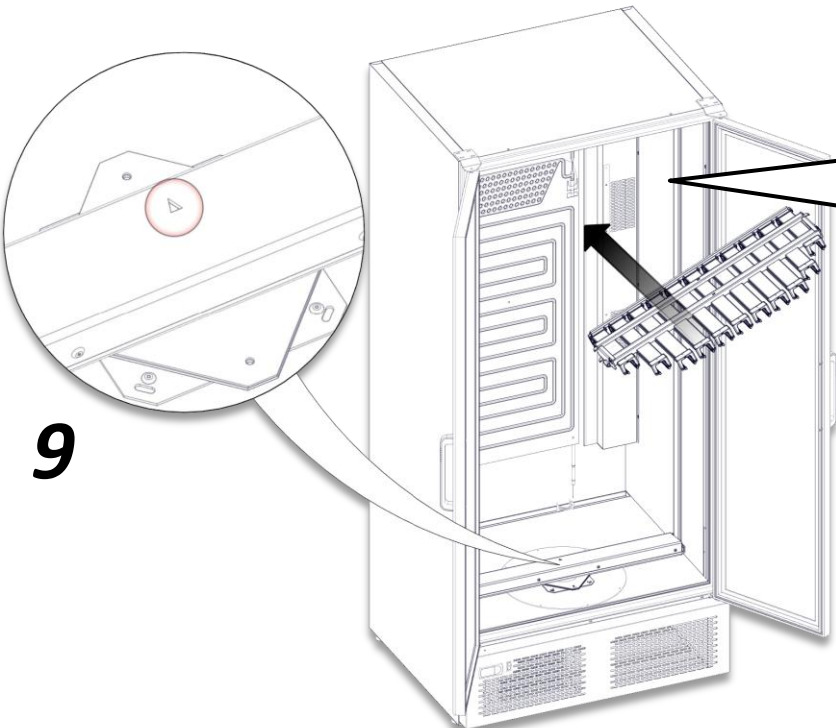
**7**



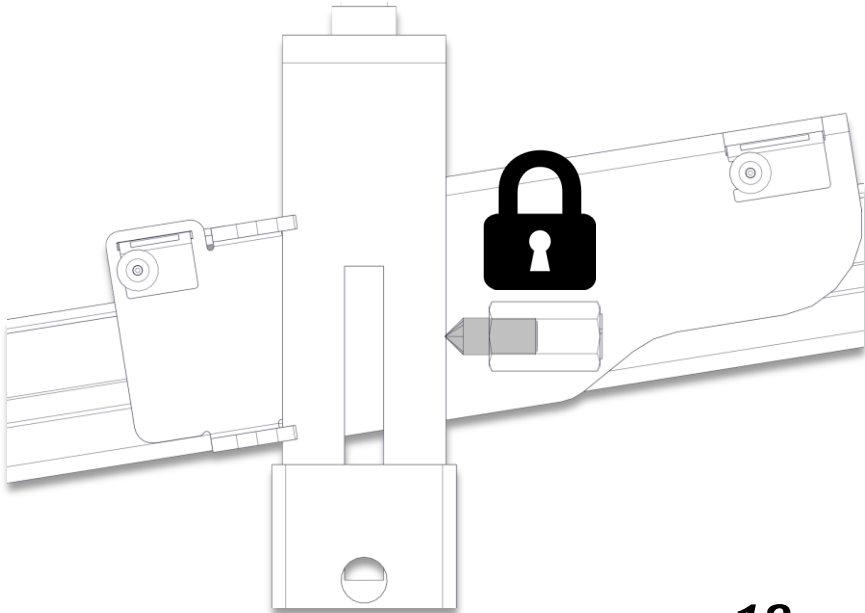
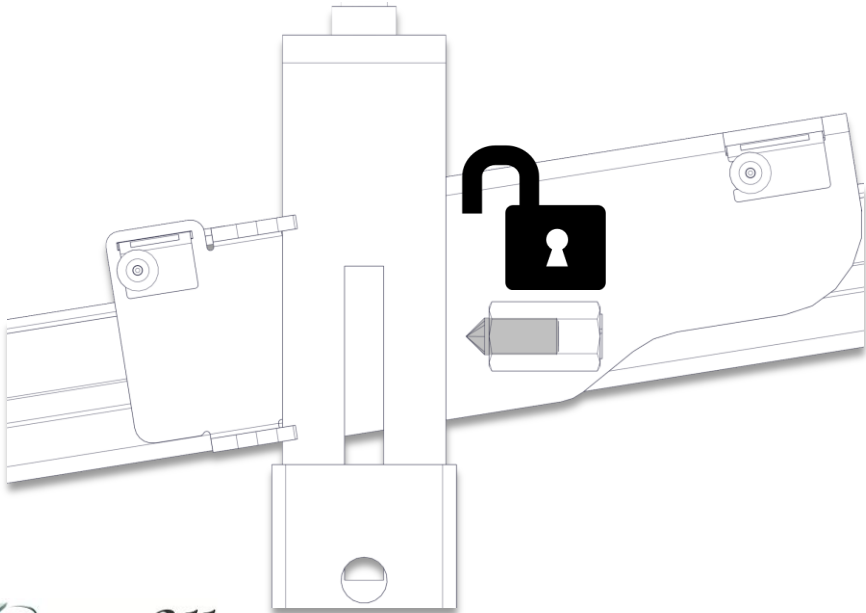
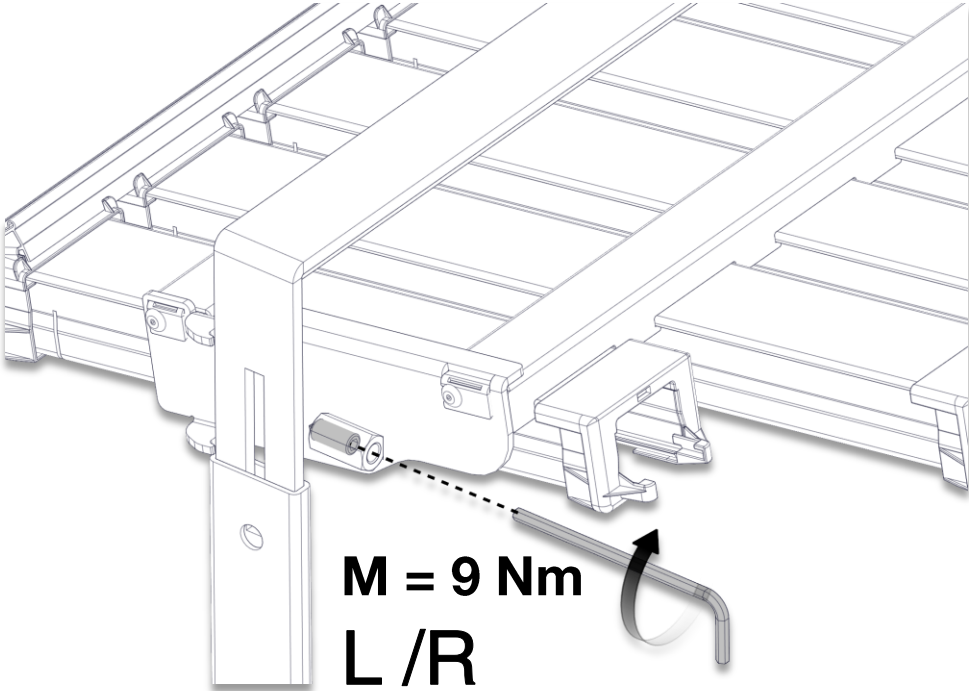
**8**



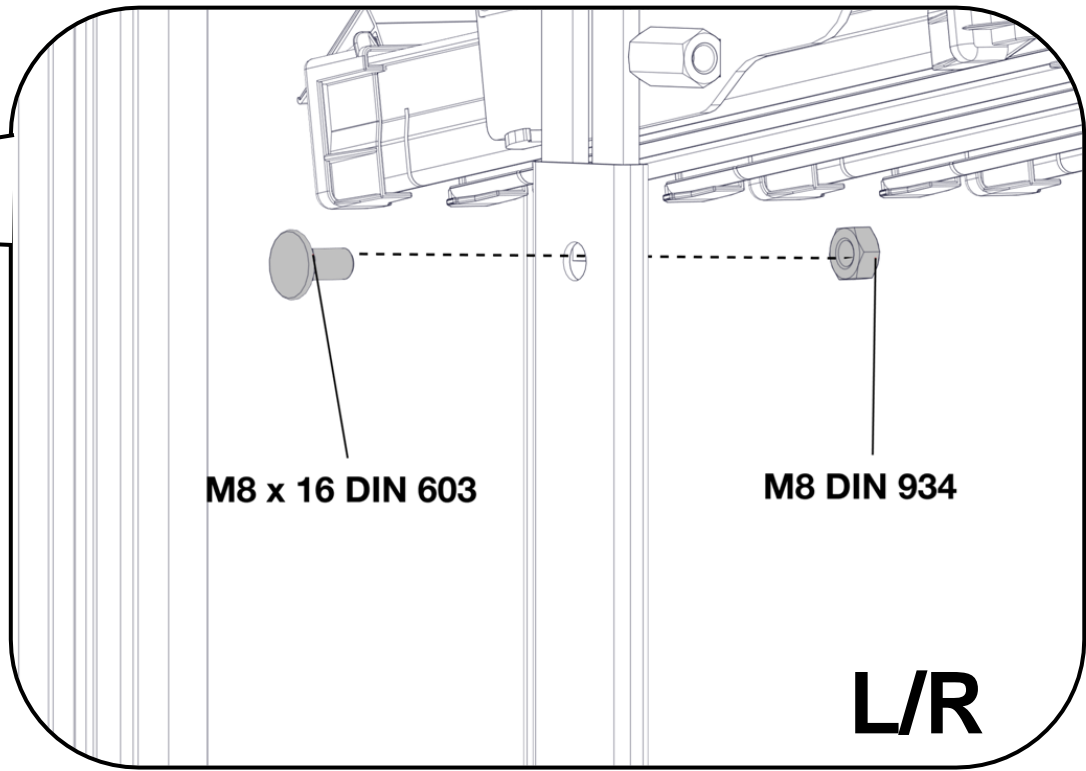
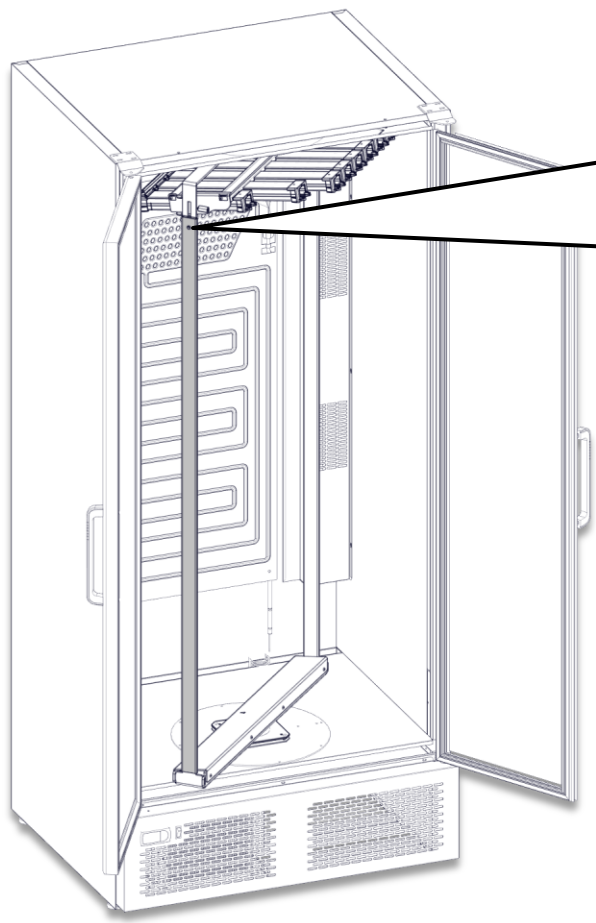
9



**10**



**11**



**M8 x 16 DIN 603**

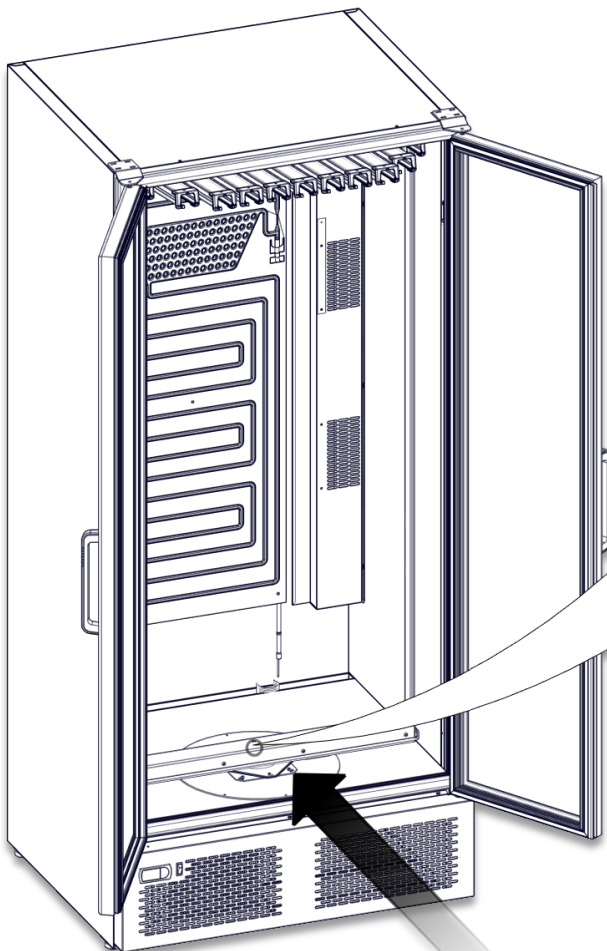
**M8 DIN 934**

**L/R**

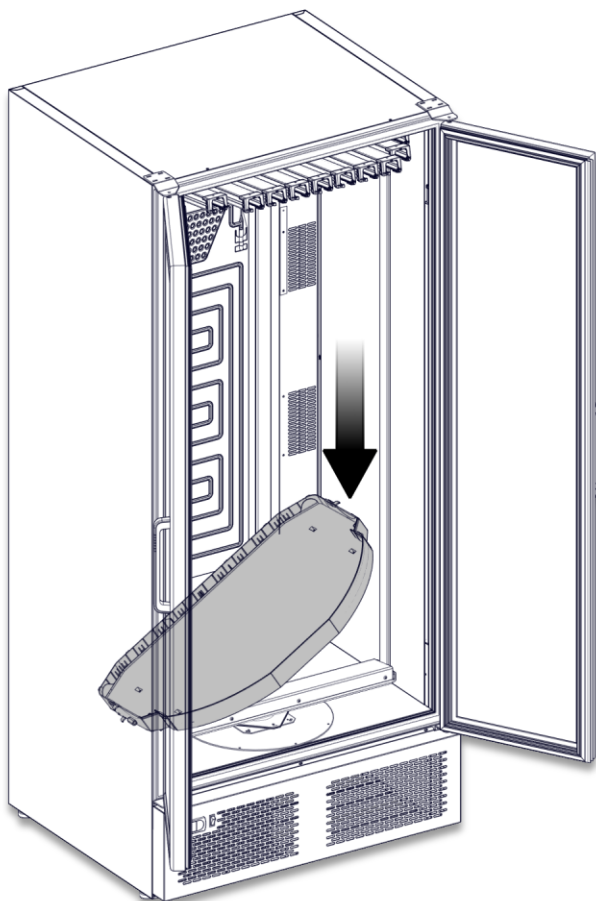
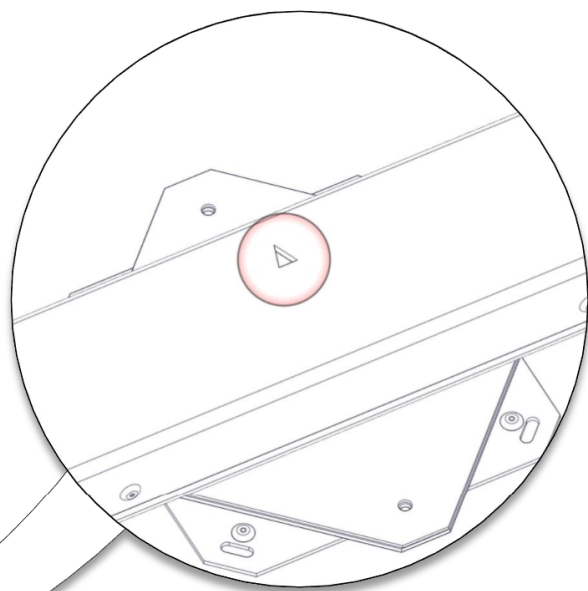


**13 mm**

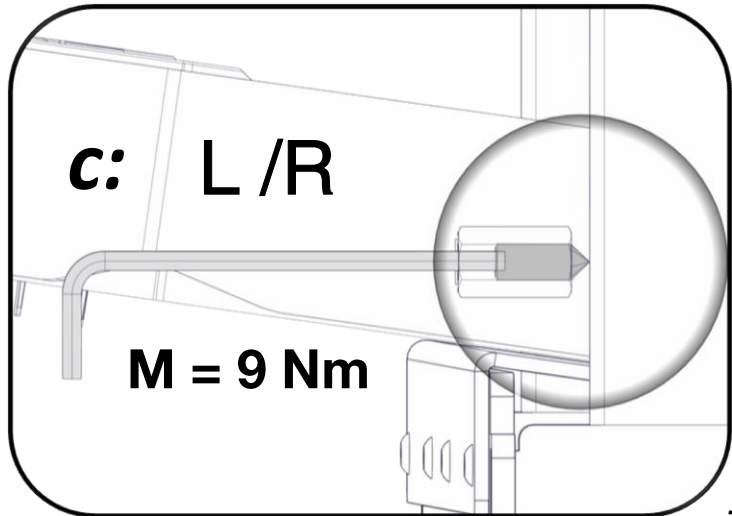
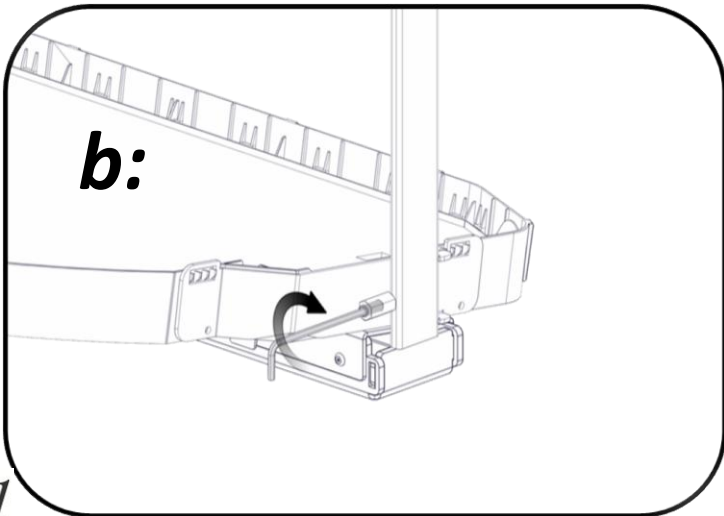
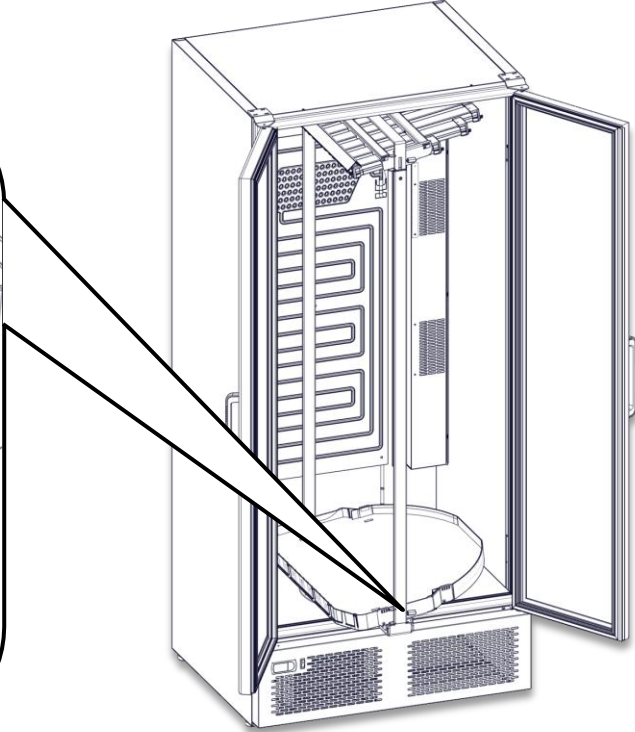
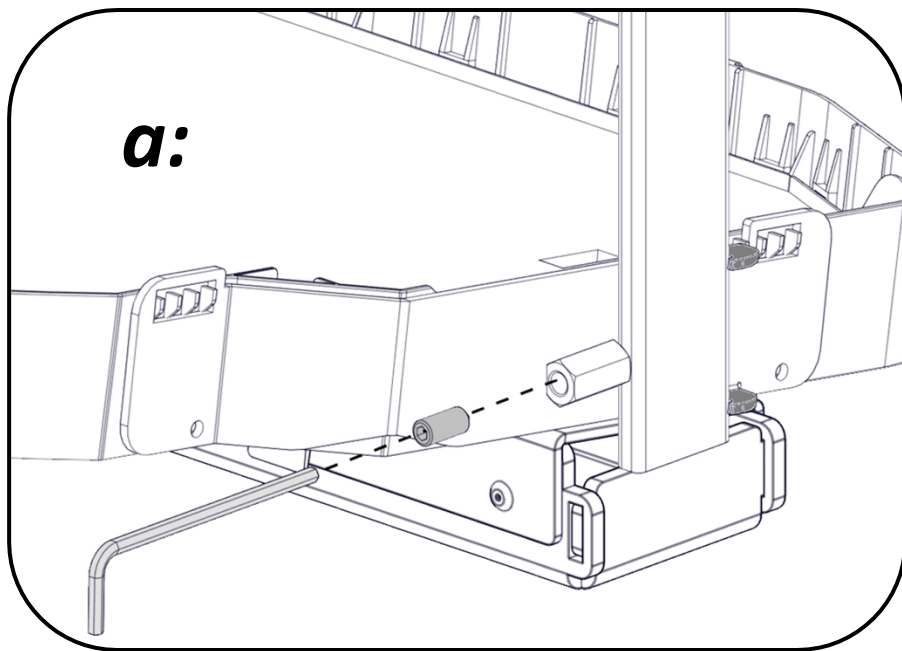
12



13

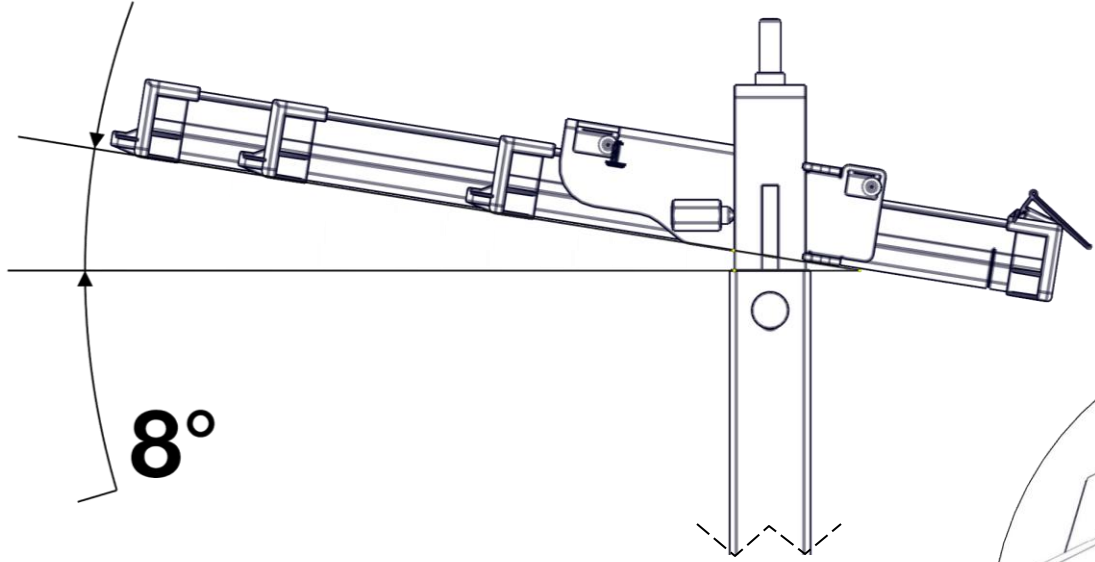


14



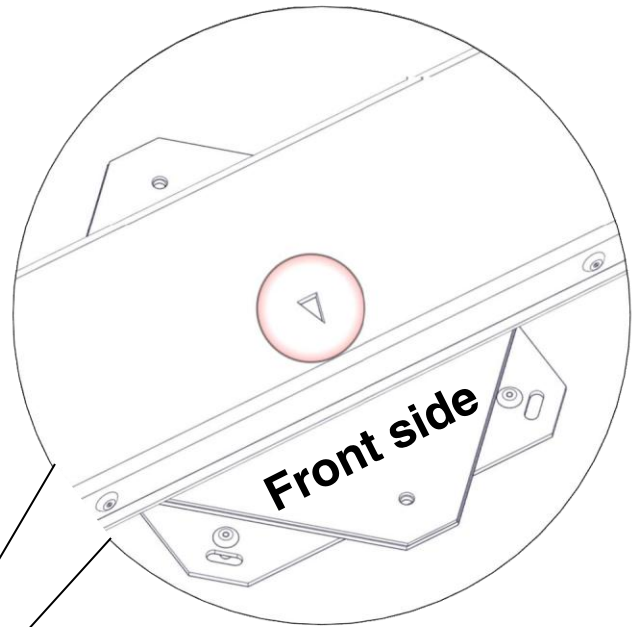
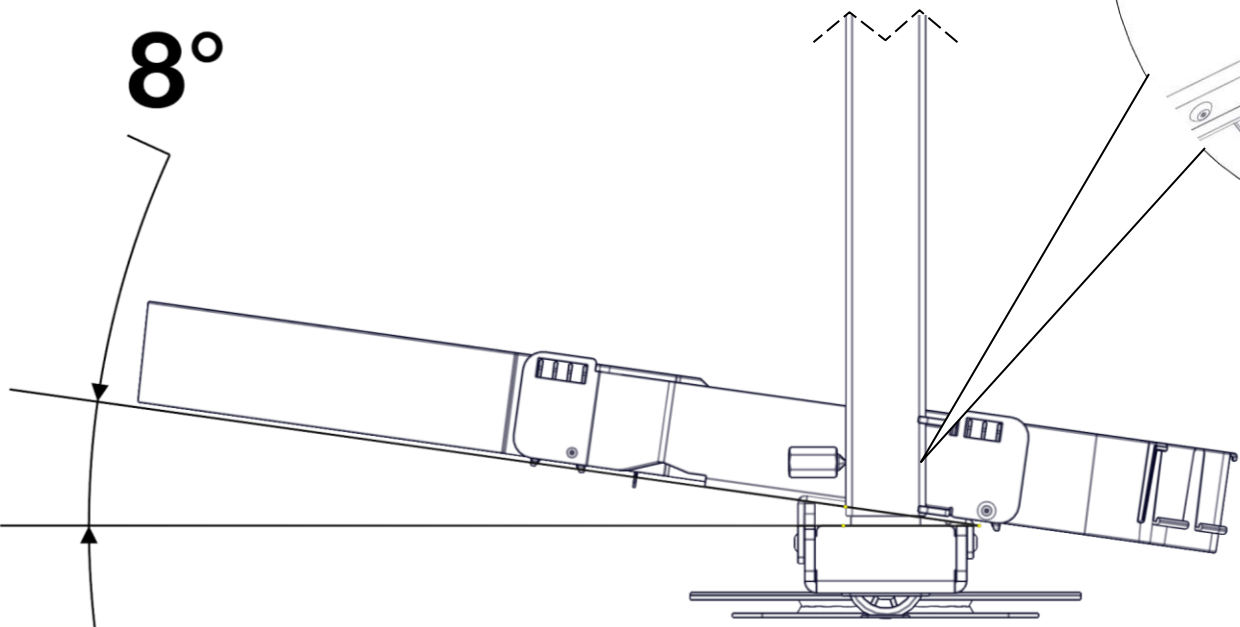


15



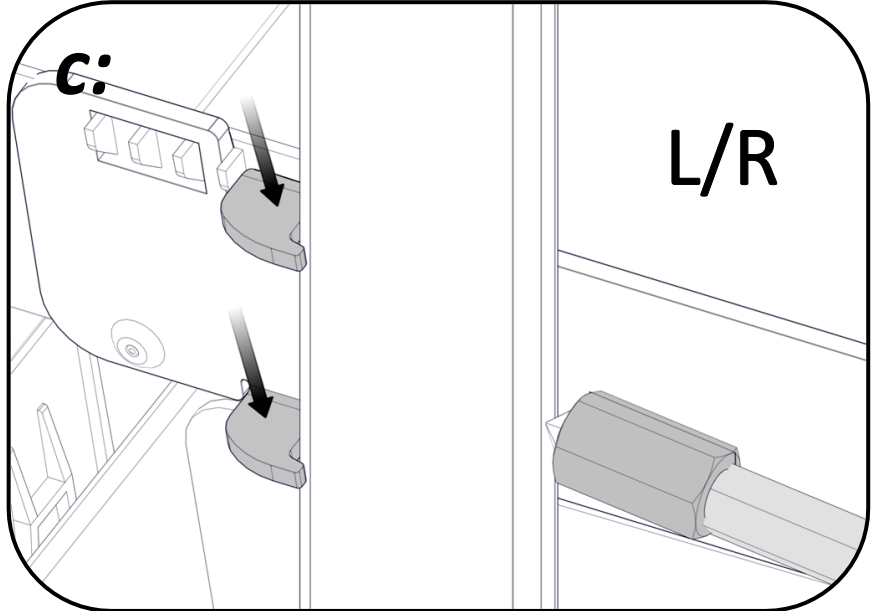
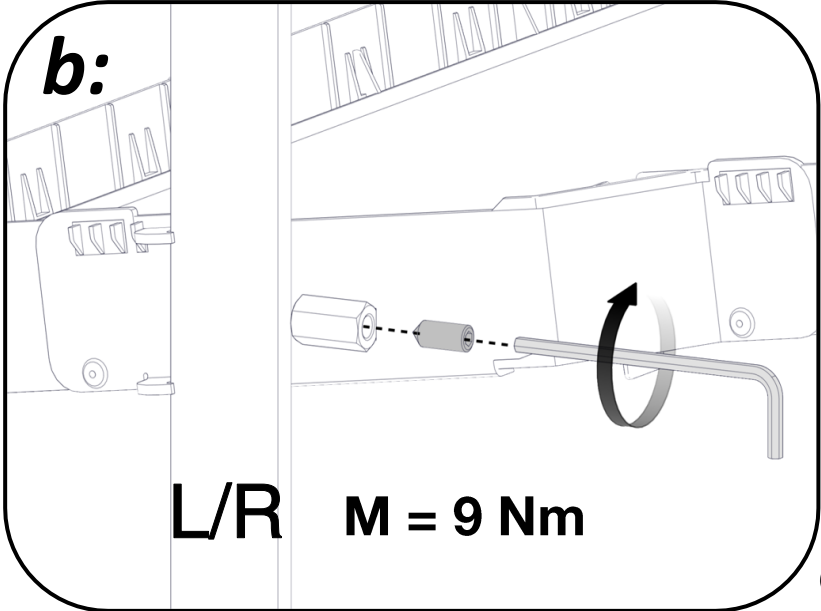
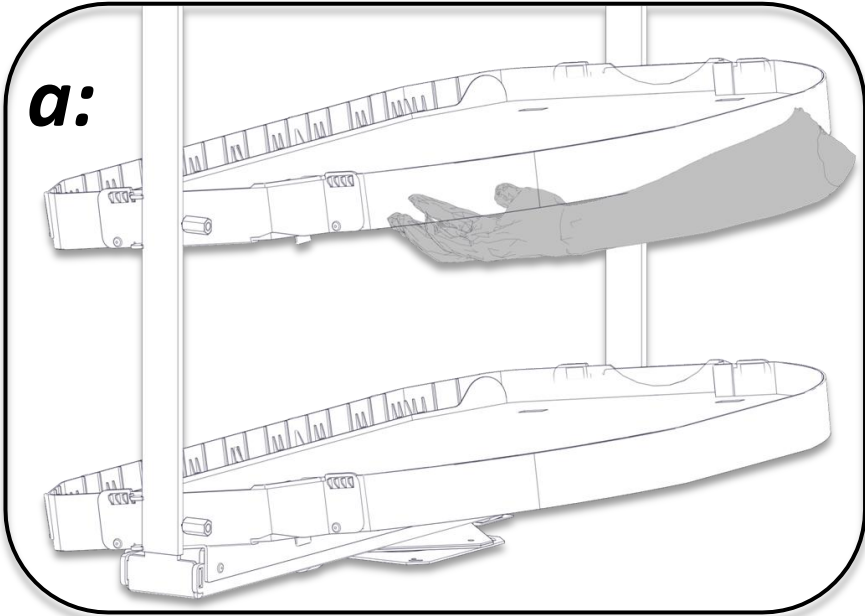
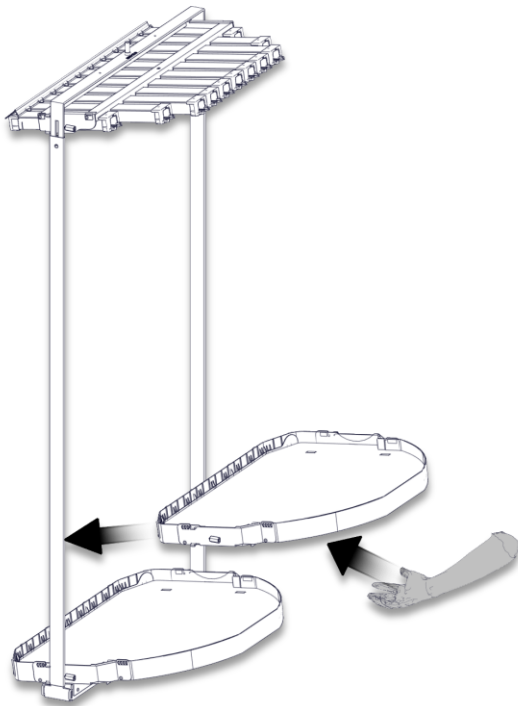
8°

8°



Front side

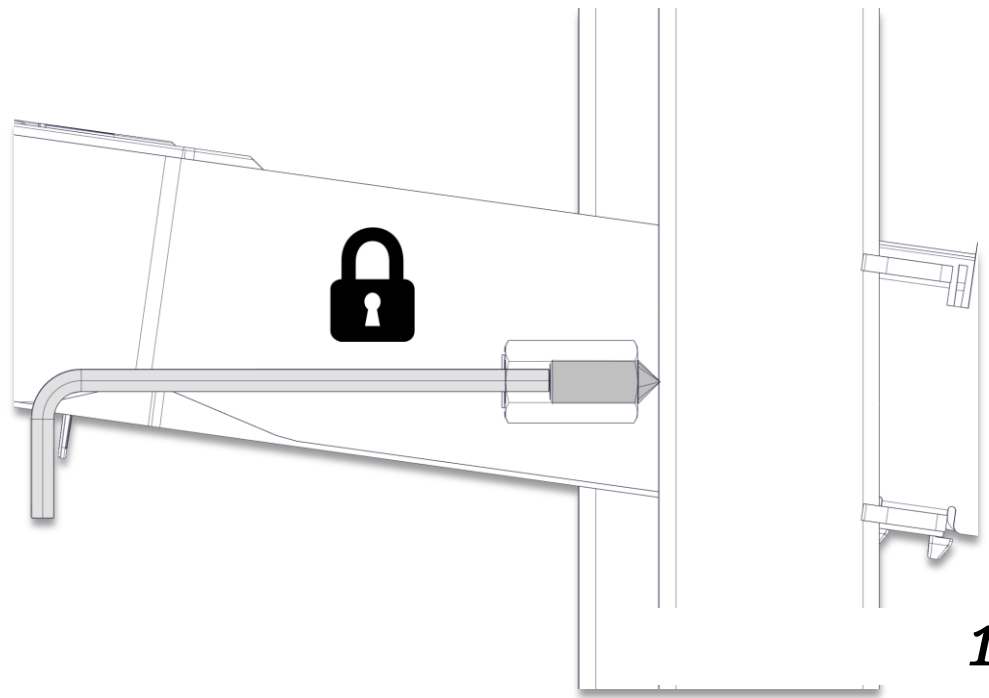
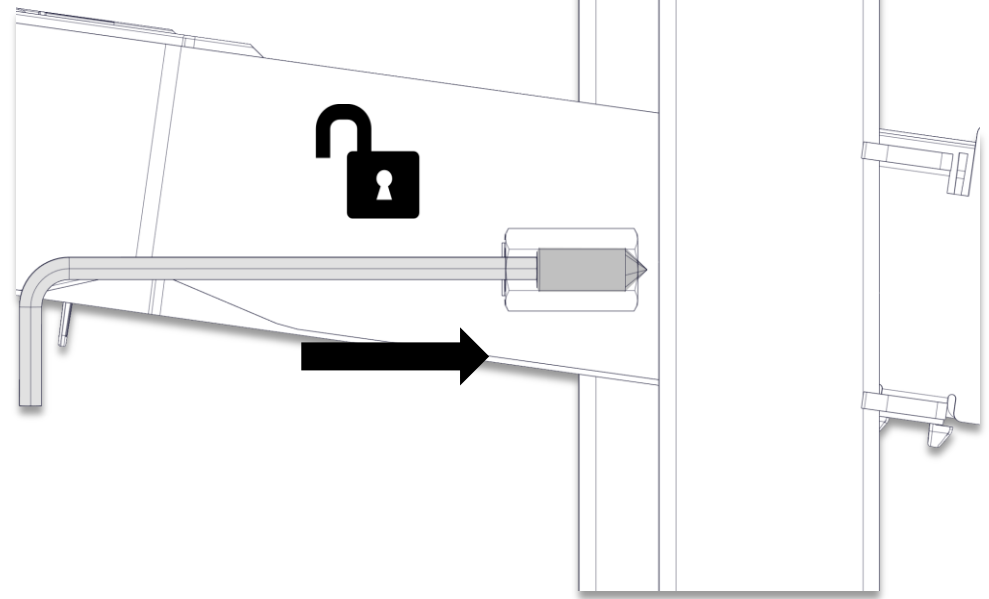
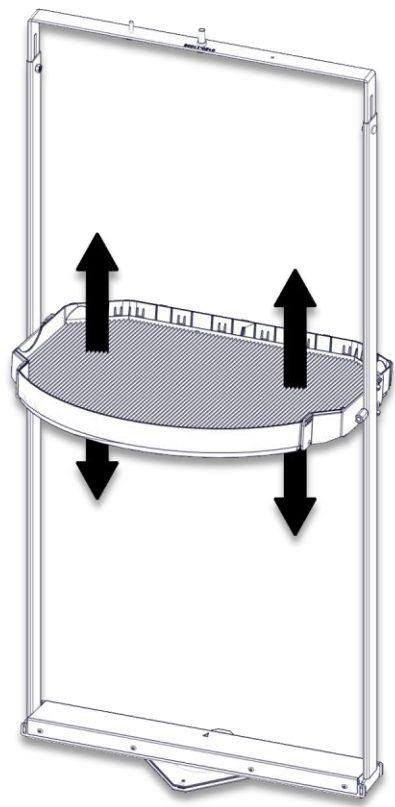
16



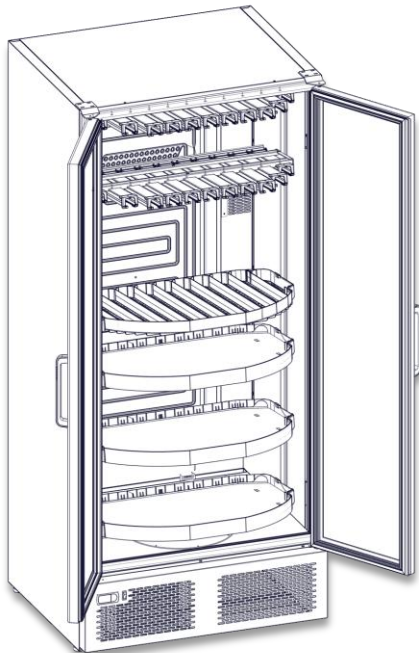
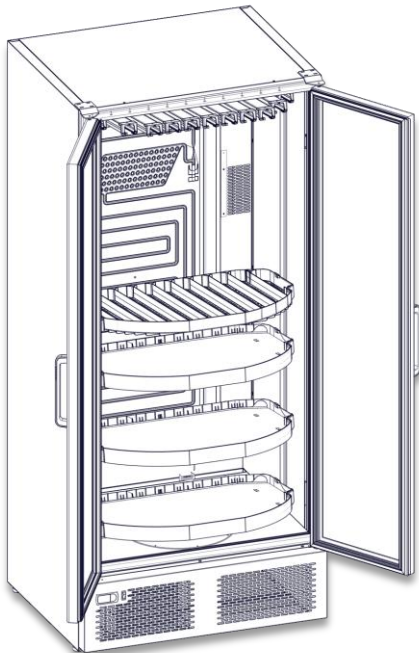
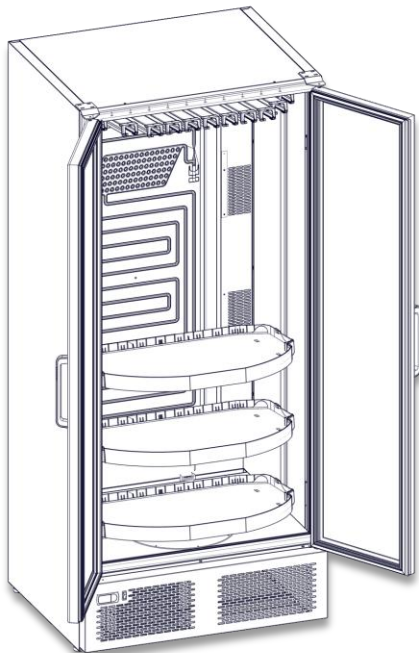
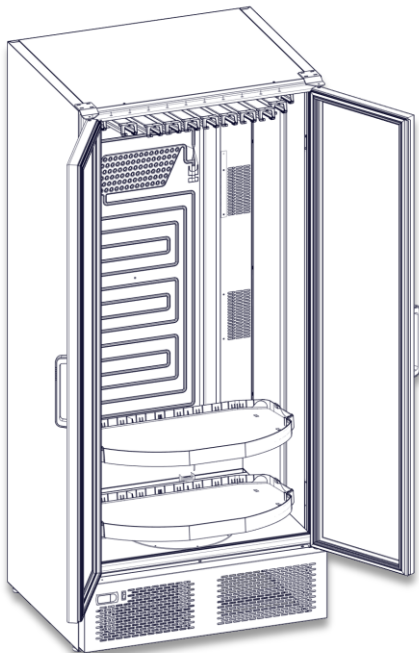
17



4 mm



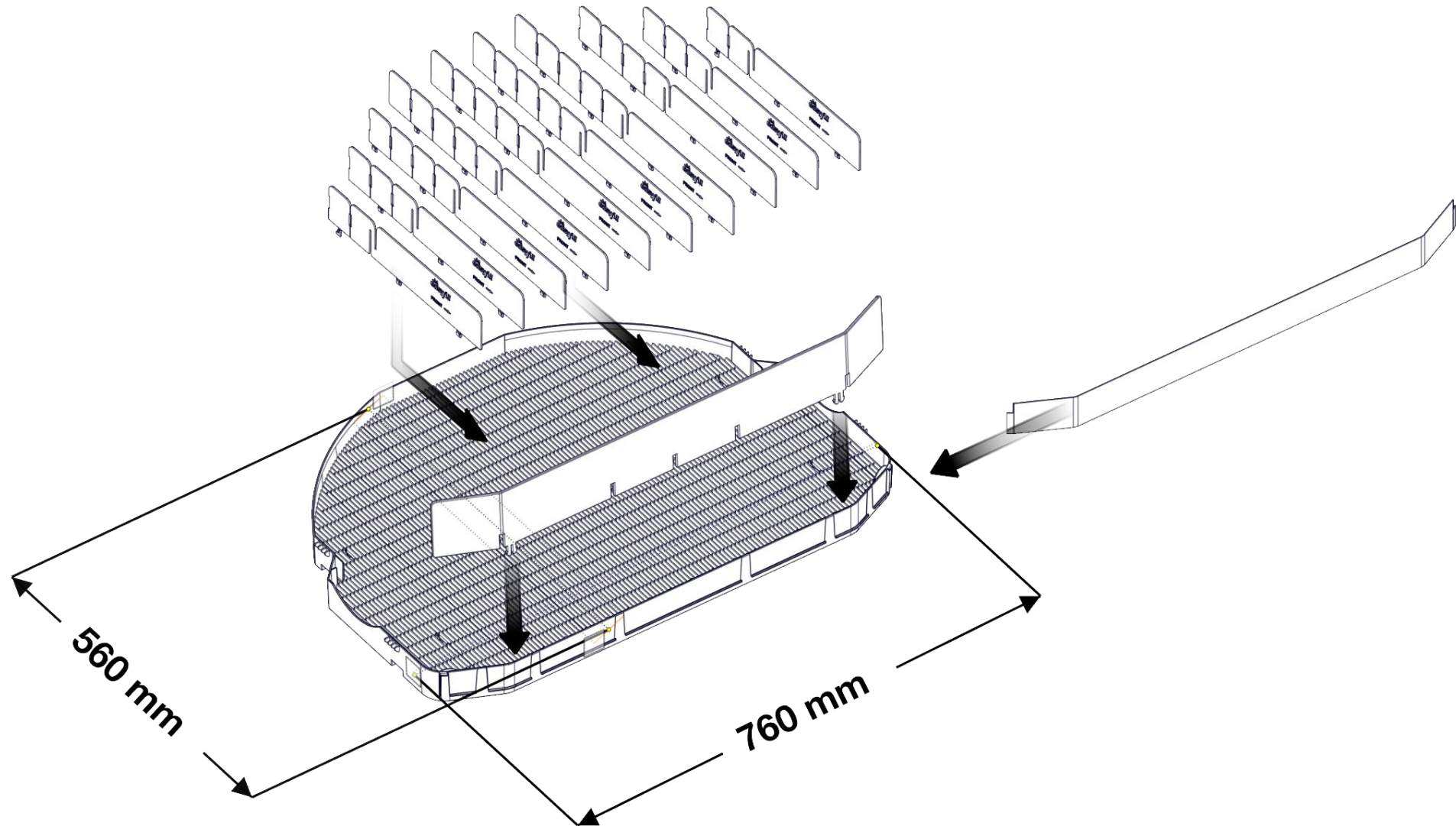
18



*INSTALLATION USER MANUAL OF UNIVERSAL SHELF 90*

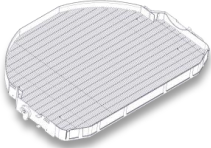






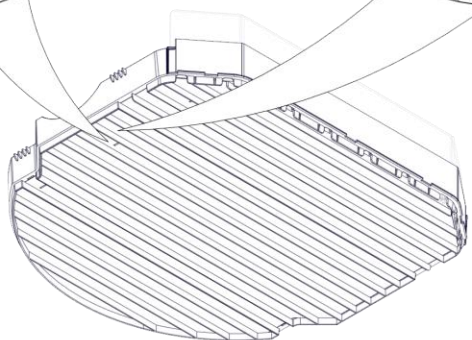
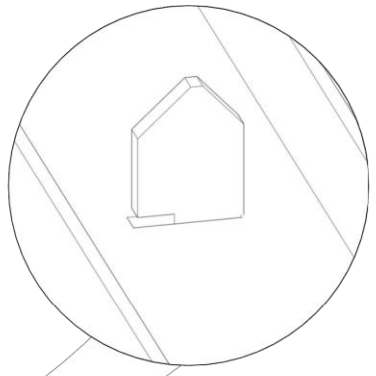
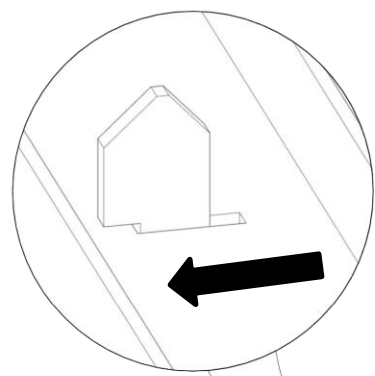
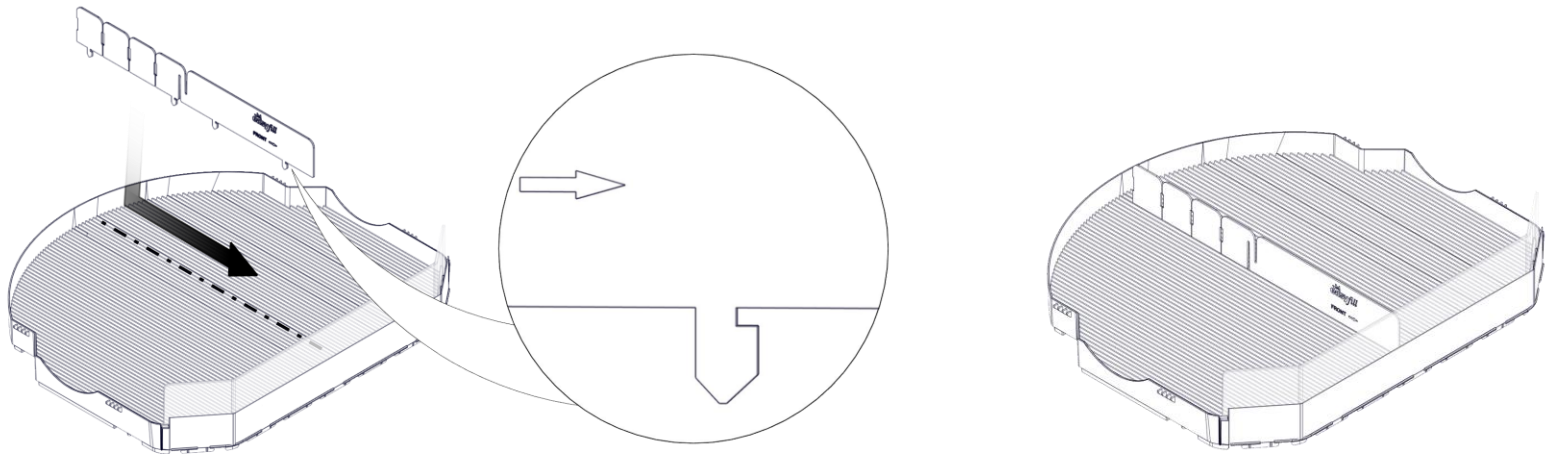
# INSTALLATION OF UNIVERSAL SHELF 90



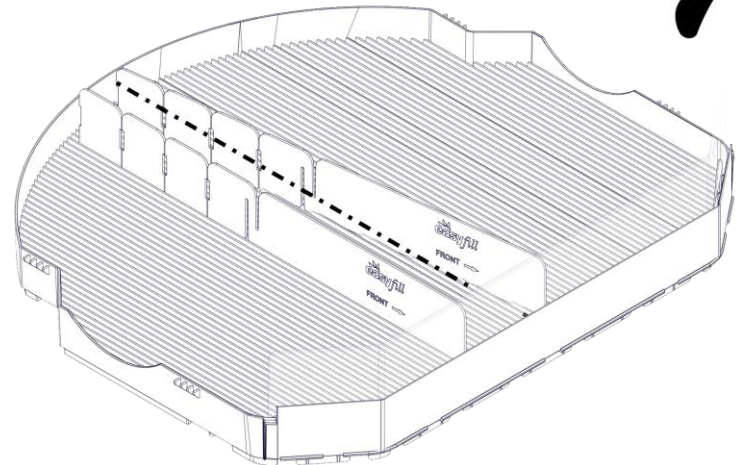
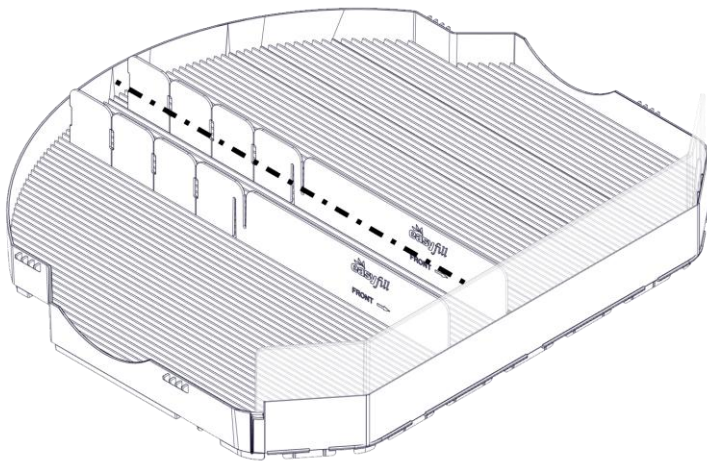
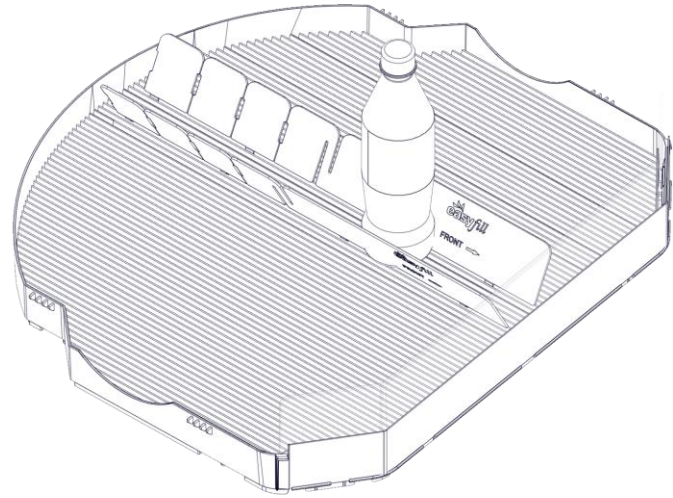
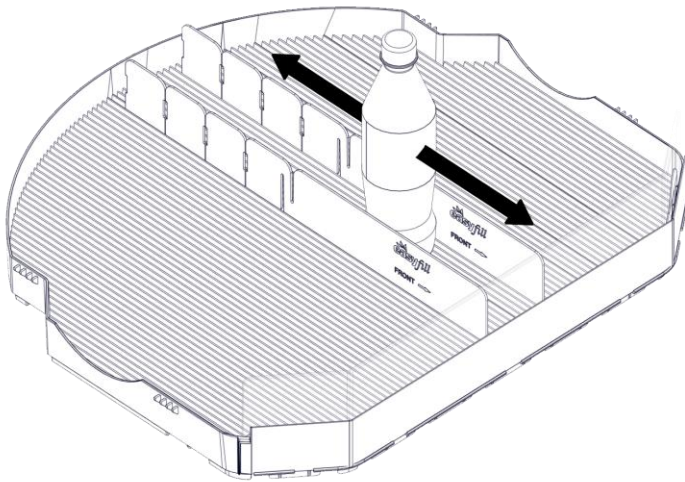
# 0123- 22000-0

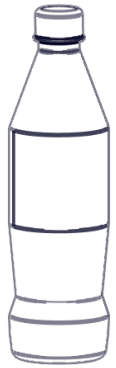
## ***SHELF ROTOSHELF 90 UNIVERSAL***

Picture:	Name:	Art. No.:	Qty/set:
	SHELF ROTOSHELF 90 UNIVERSAL	400391	1 pc
	FRONTSTOP UNIVERSAL 90 HIGH H94mm	400398	1 pc
	FRONTSTOP UNIVERSAL 90 LOW H54mm	400602	1 pc
	DIVIDER UNIVERSAL 70-90	400393	10 pcs
	PLASTLABEL RS90F11 747*37*0,8	400362	1 pc





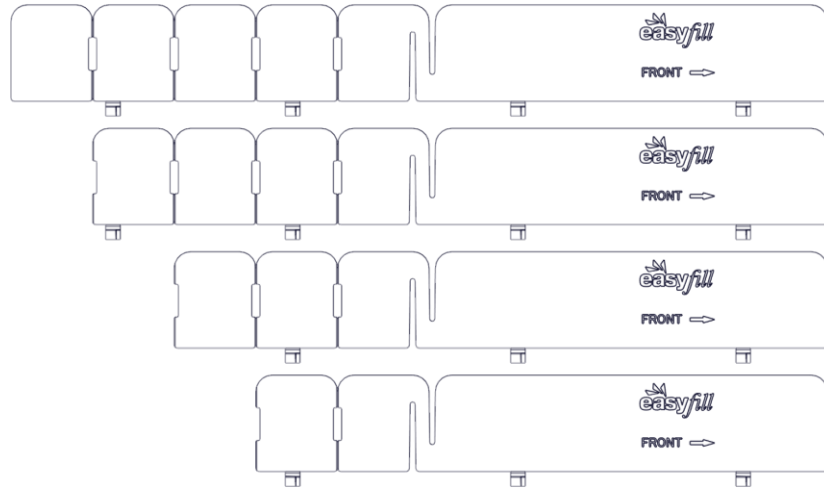
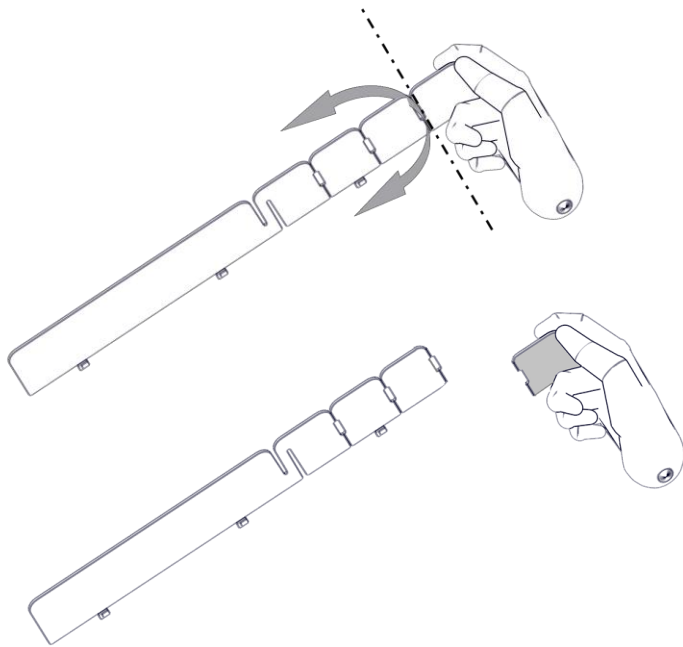
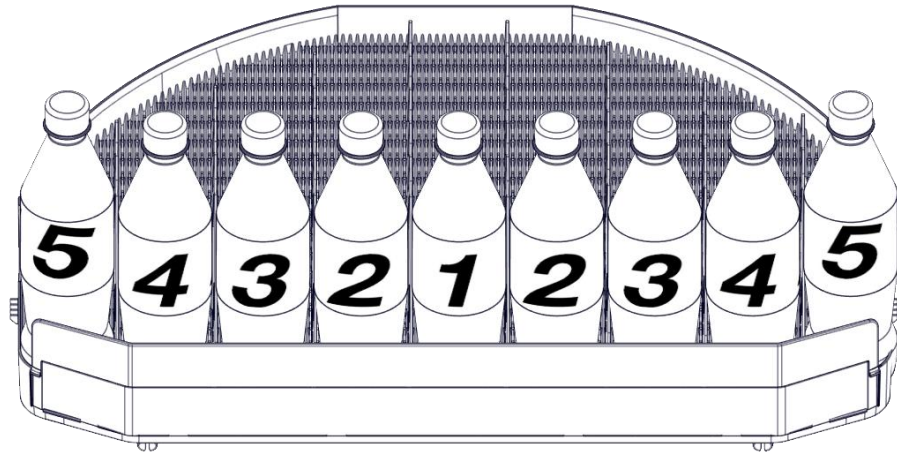




6, 8, **10**, 12

**10** x 0,5 L →

∅ 65 mm



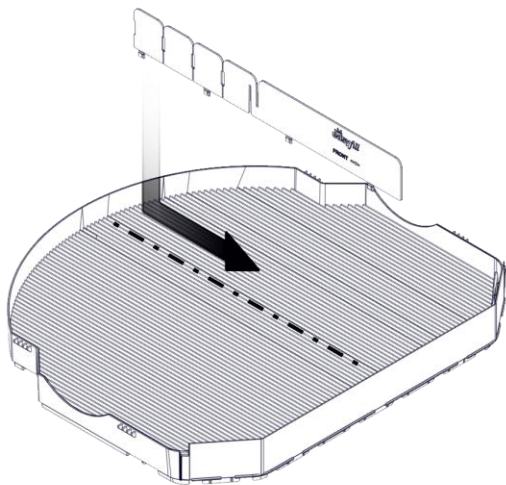
**3x**

**2x**

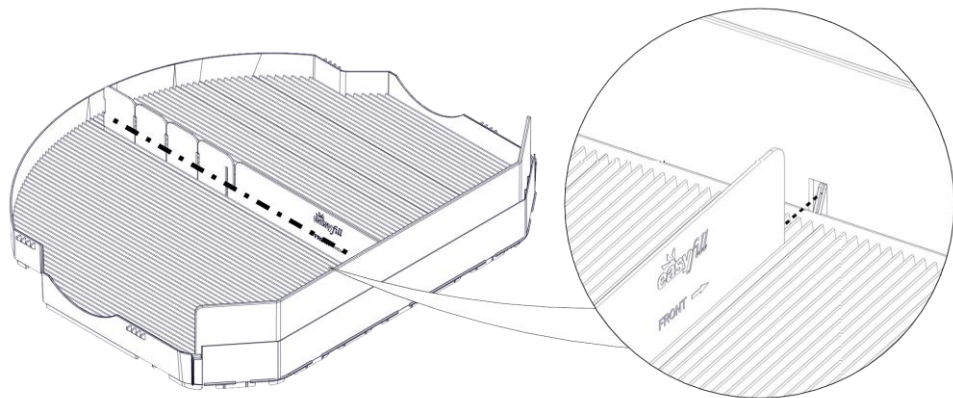
**2x**

**2x**

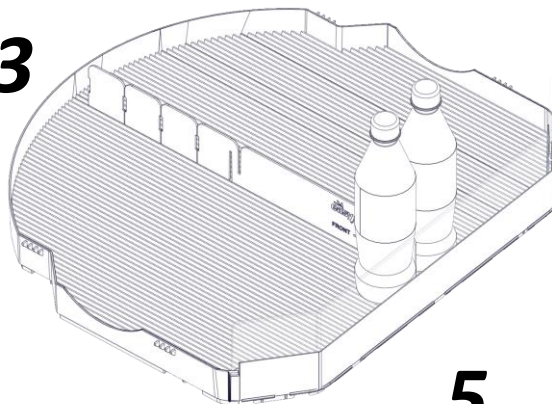
**1**



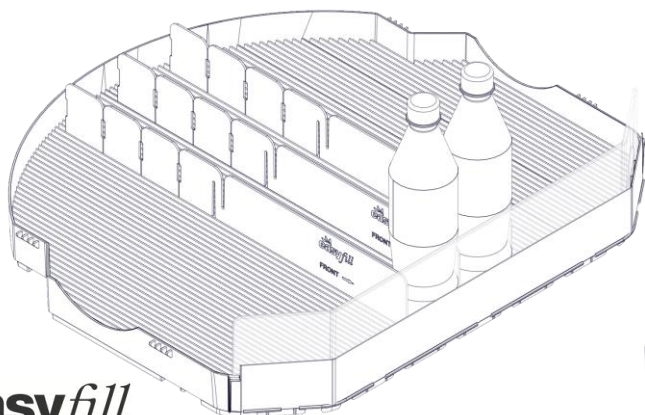
**2**



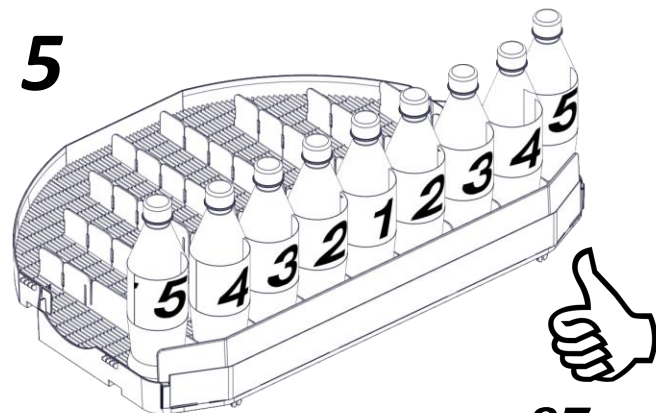
**3**



**4**

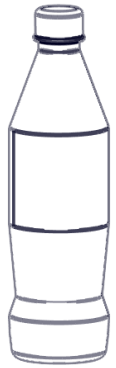


**5**



9x

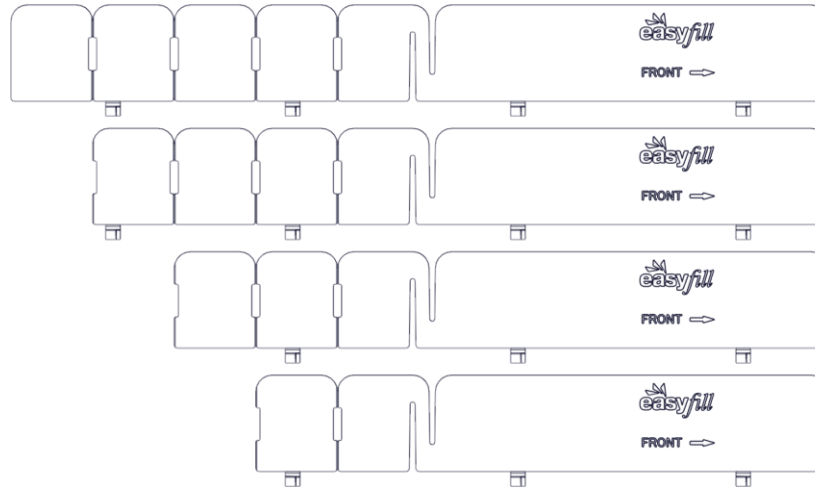
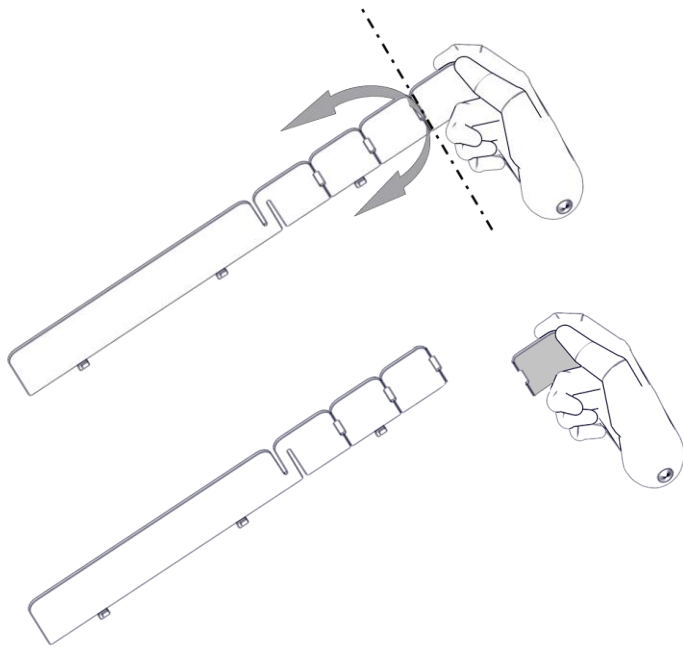
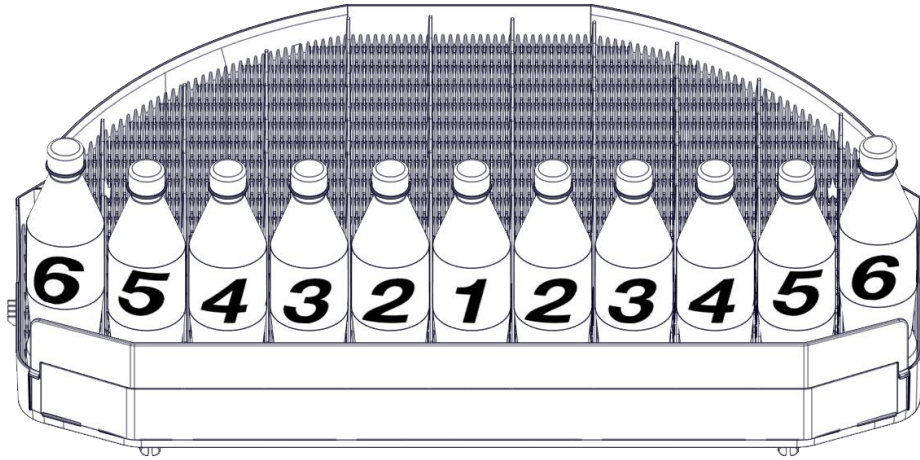




7, 9, **11**, 13

**11** x 0,5 L →

∅ 65 mm



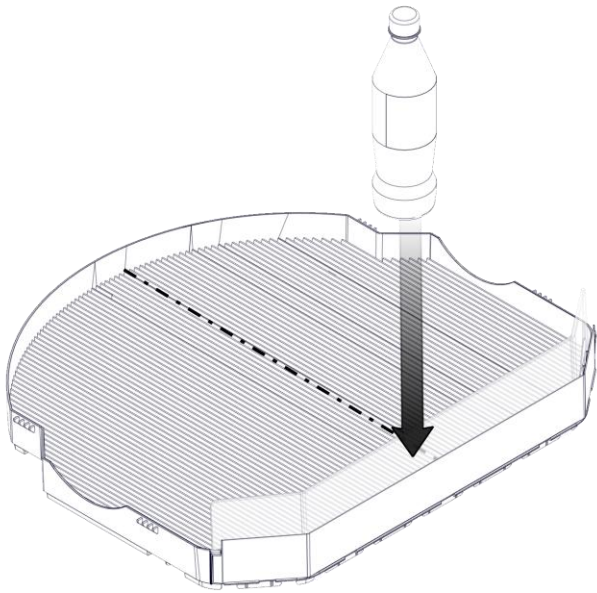
**3x**

**2x**

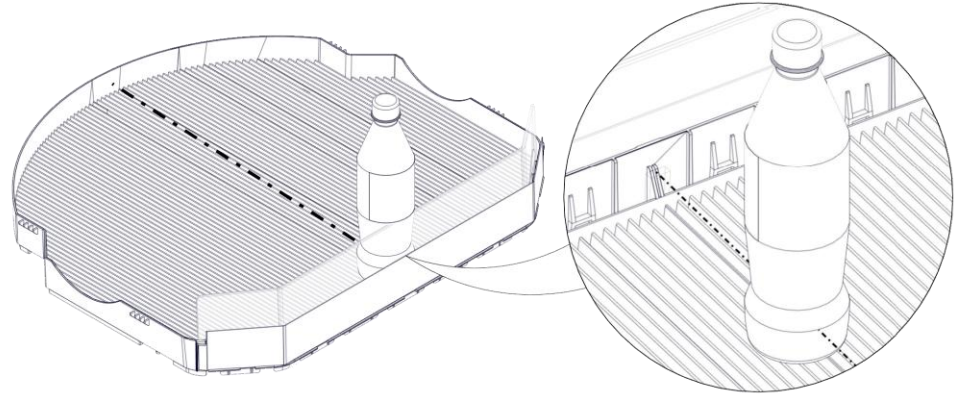
**2x**

**2x**

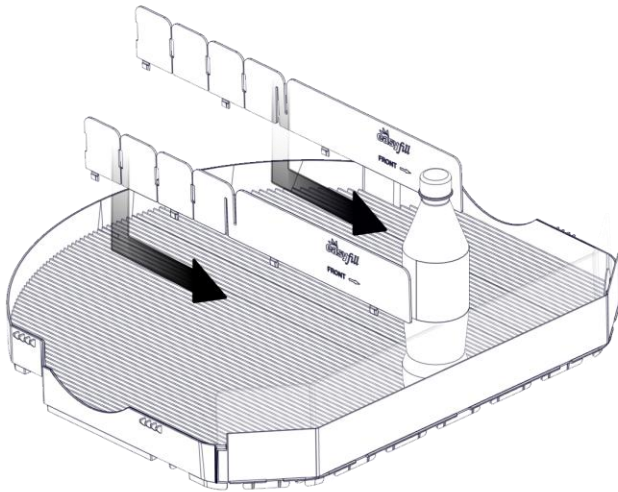
**1**



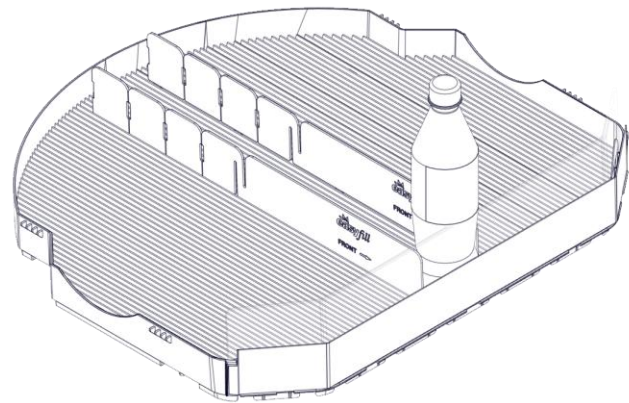
**2**



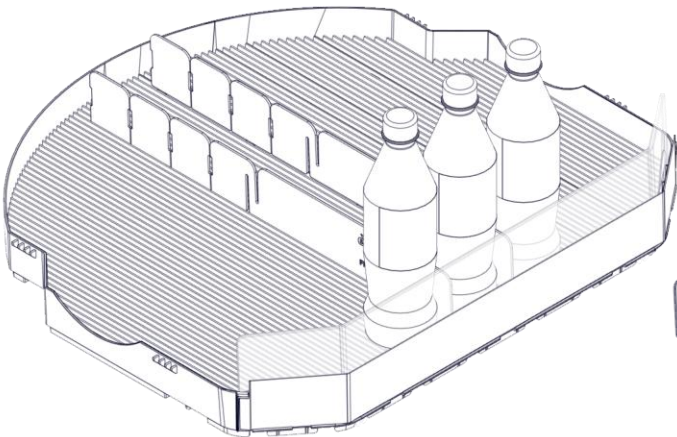
**3**



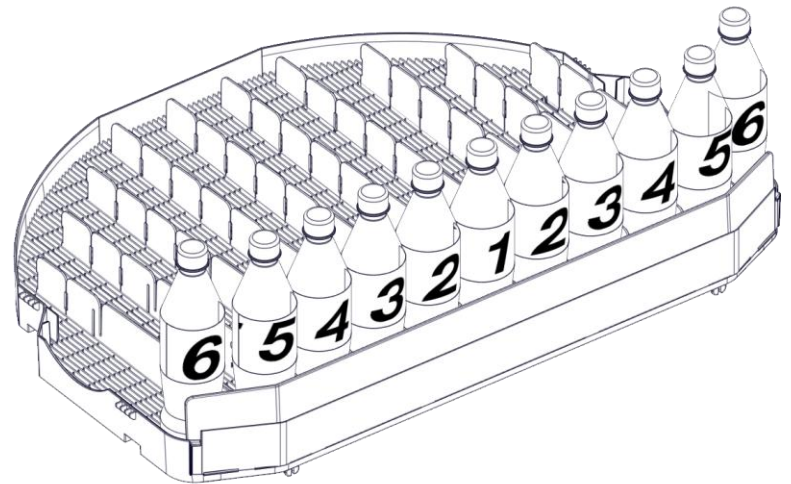
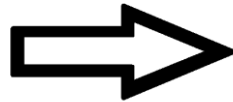
**4**



**5**



**10x**



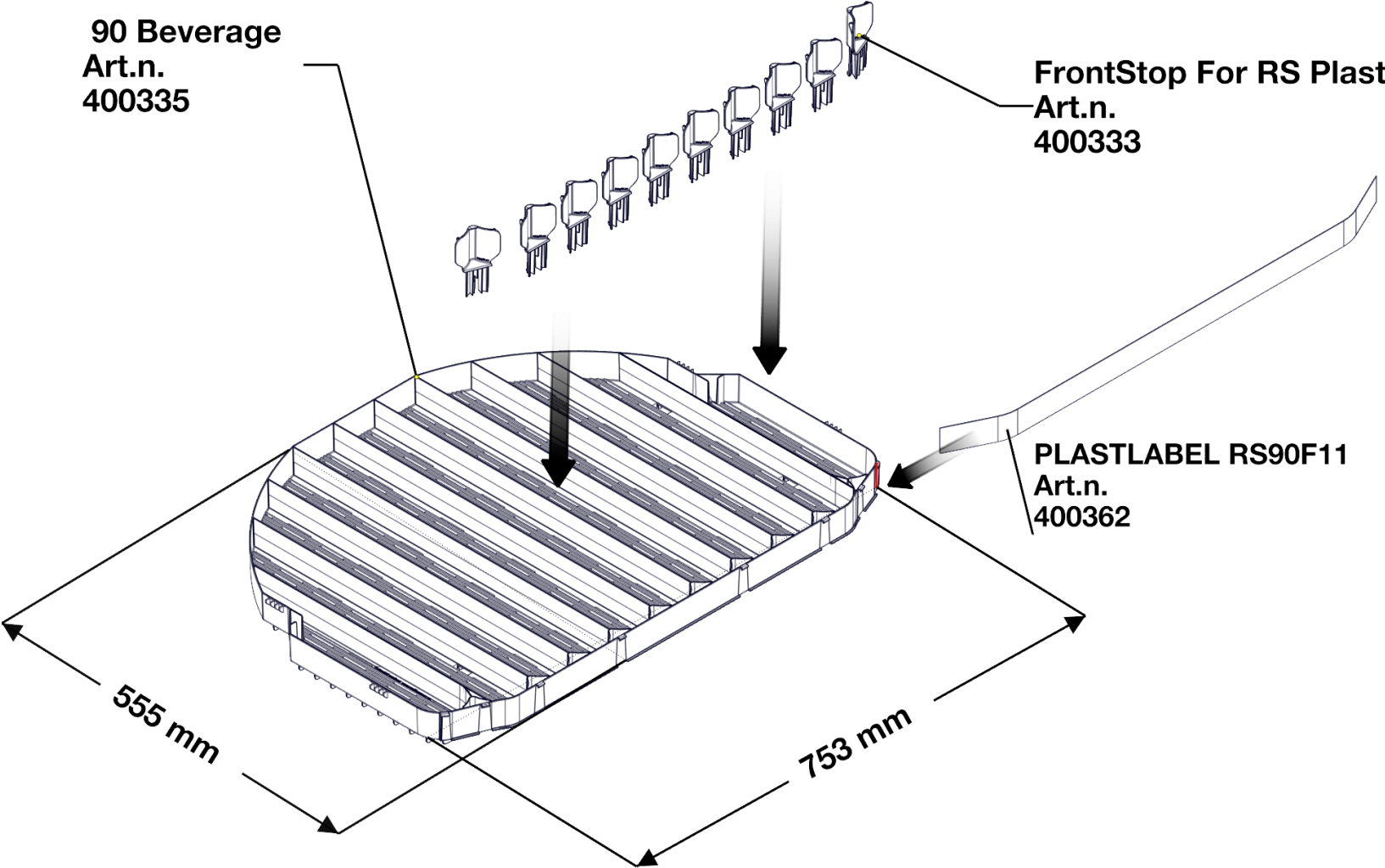
*INSTALLATION USER MANUAL OF 90 Beverage*



**90 Beverage  
Art.n.  
400335**

**FrontStop For RS Plast  
Art.n.  
400333**

**PLASTLABEL RS90F11  
Art.n.  
400362**

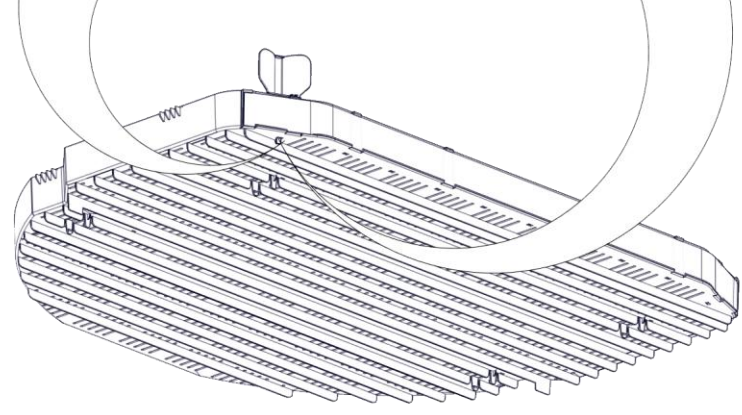
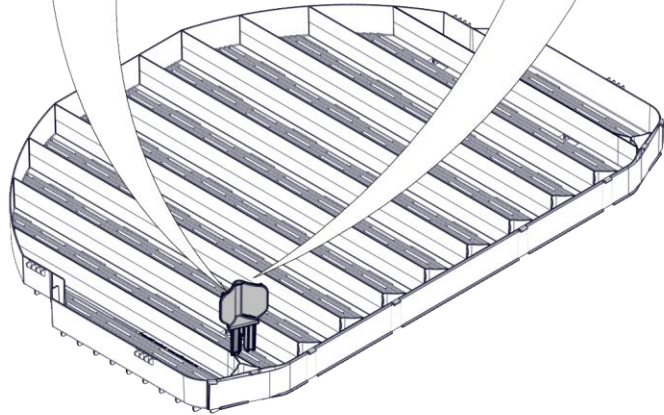
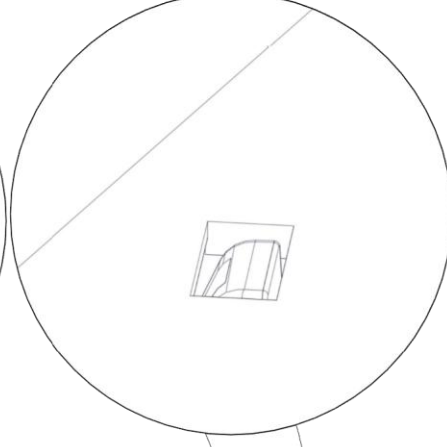
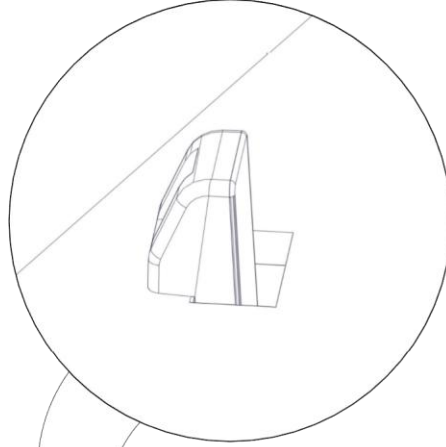
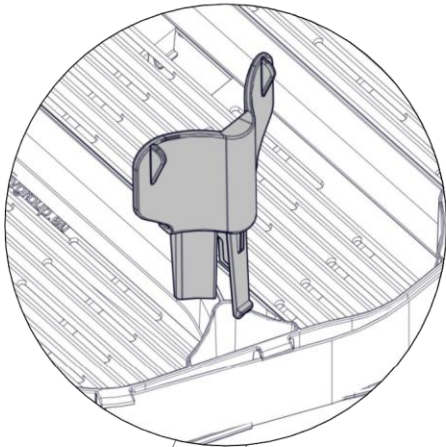
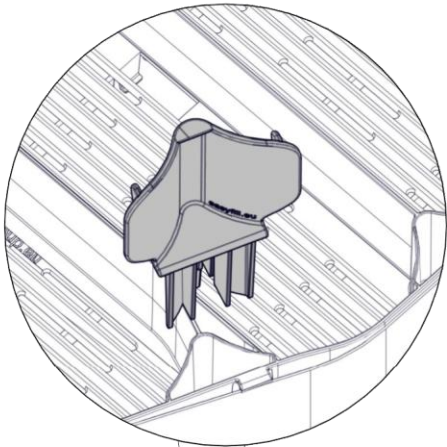





# 0123-24000-0

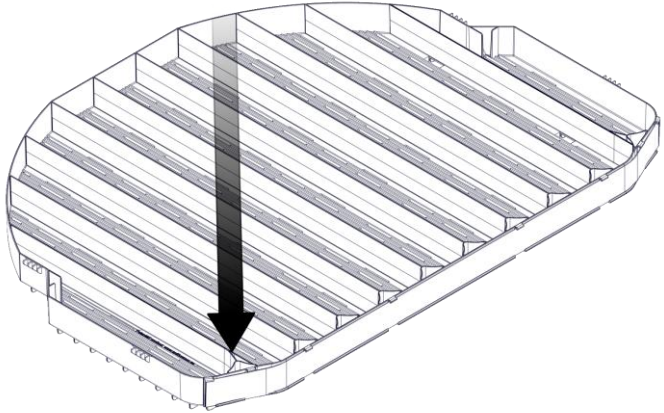
## ***SHELF ROTOSHELF 90 BEVERAGE***

Picture:	Name:	Art. No.:	Qty./set:
	SHELF ROTOSHELF 90 BEVERAGE	400335	1 pc
	FRONTSTOP FOR Beverage	400333	10 pc
	PLASTLABEL RS90F11 747*37*0,8	400362	1 pc

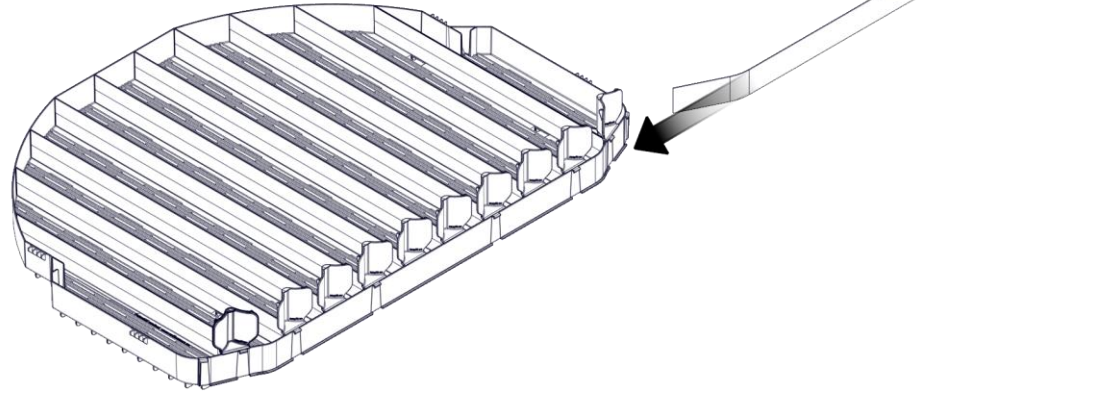


**1**

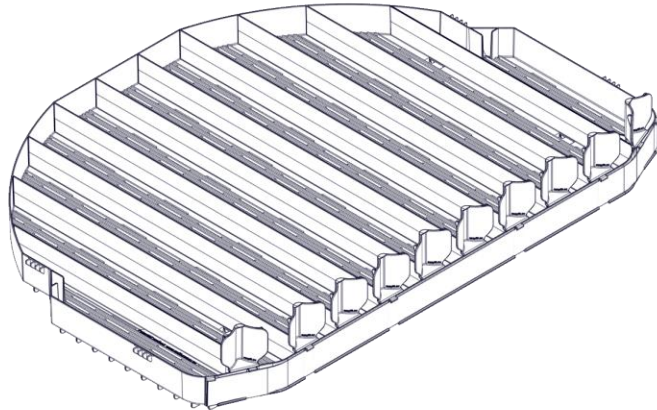
 = 10x

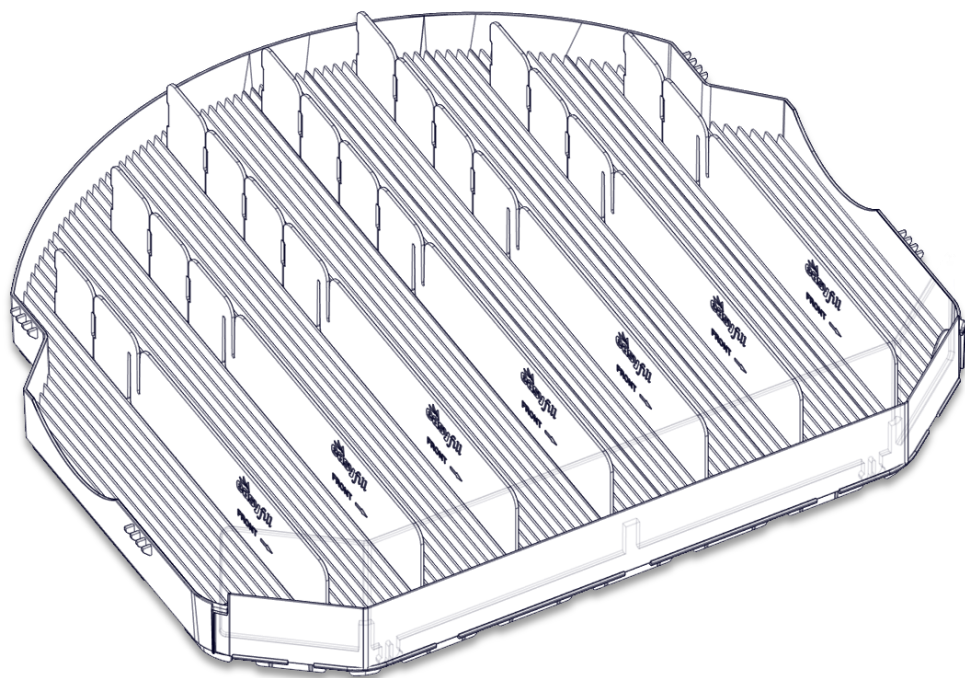


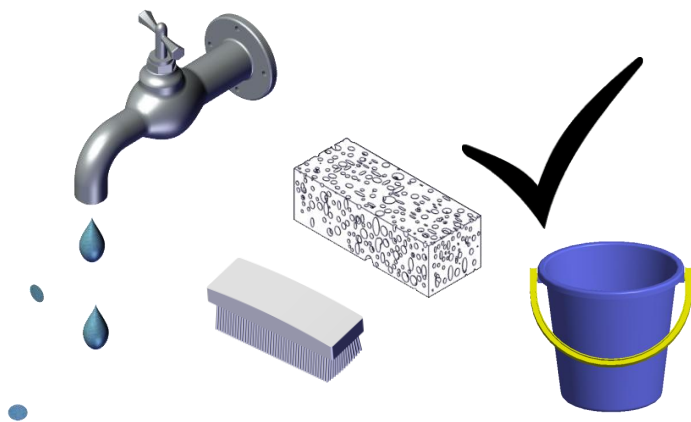
**2**



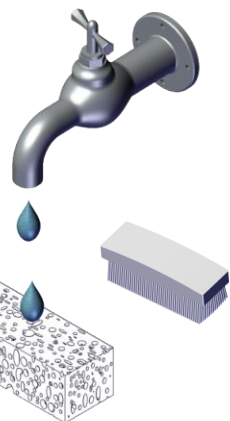
**3**







1



2

